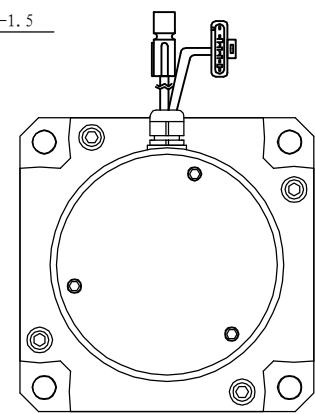
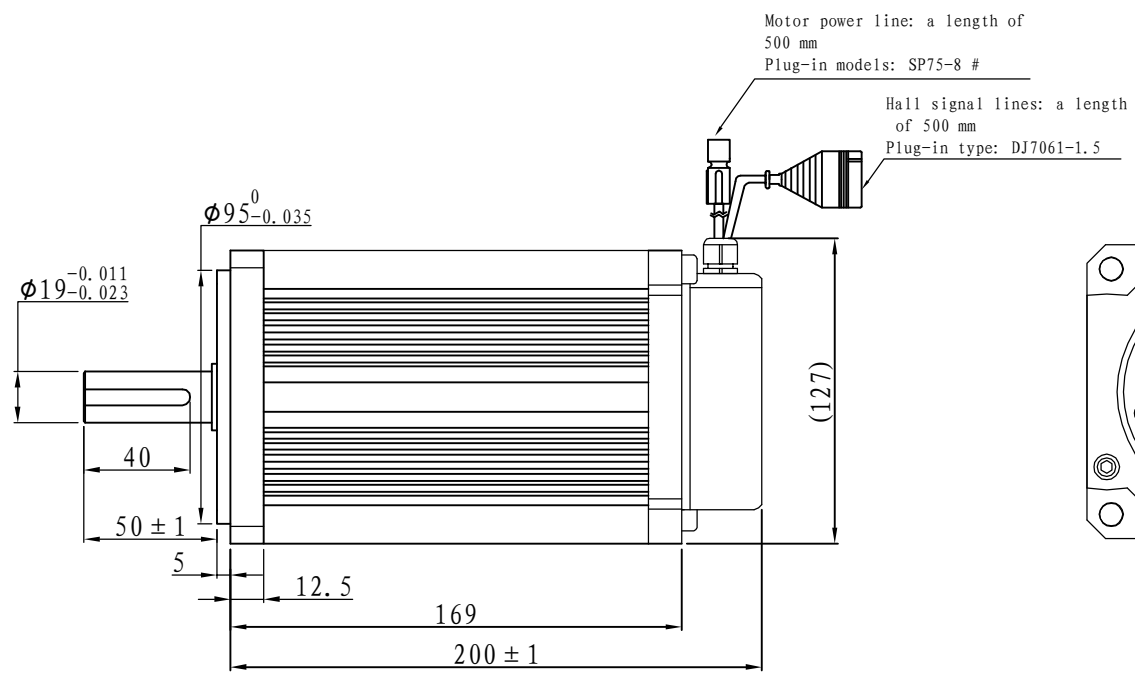
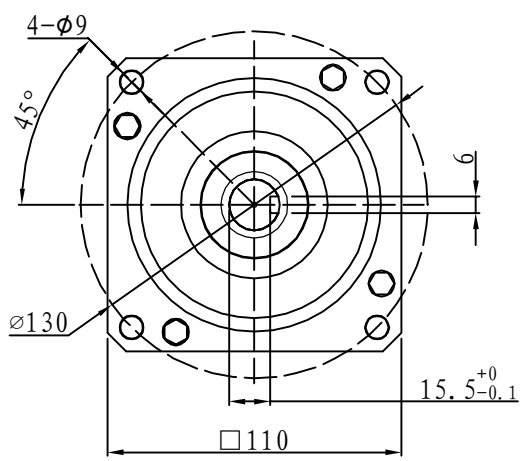
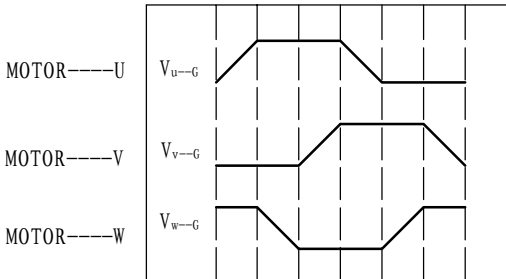
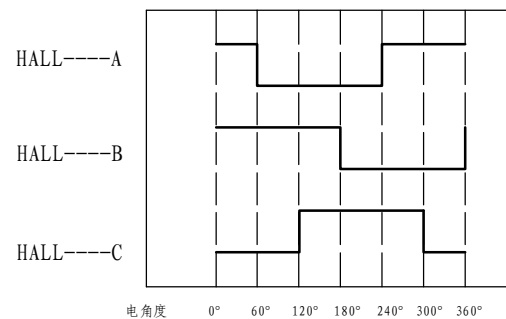


Demension

Brushless



Motor to Hall Relationship



PHASE TO GROUND VOLTAGE
ROTATION CW FROM THE FLANGE

Line Define

Power Wire	
Red	Motor U
Yellow	Motor V
Blue	Motor W

Feedback Wire		
Hall line colour	Hall signal definition	Plug serial number
Orange and black	5V	1
Orange	0V	2
Yellow	Hall A	3
Blue	Hall B	4
Green	Hall C	5

Tecnichal Data

Type	110WD-M06010-72V
Power (KW)	0.6
Rated voltage (V)	72
Rated current (A)	10.9
Rated speed (rpm)	1000
Rated torque (NM)	6
Rotor inertia (Kgcm ²)	10
Protection rank	IP65
Insulation rank	F
Appropriate environment	Temperature: 0 ~ 50°C Humidity: < 90% (No dewdrop)
Motor weight (KG)	6.6