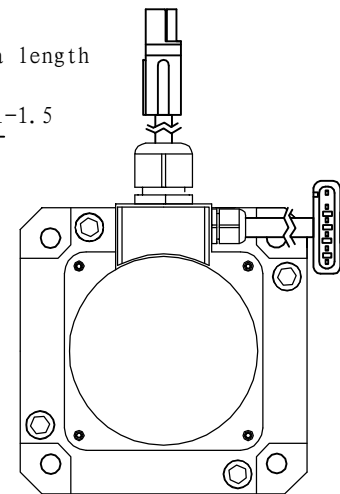
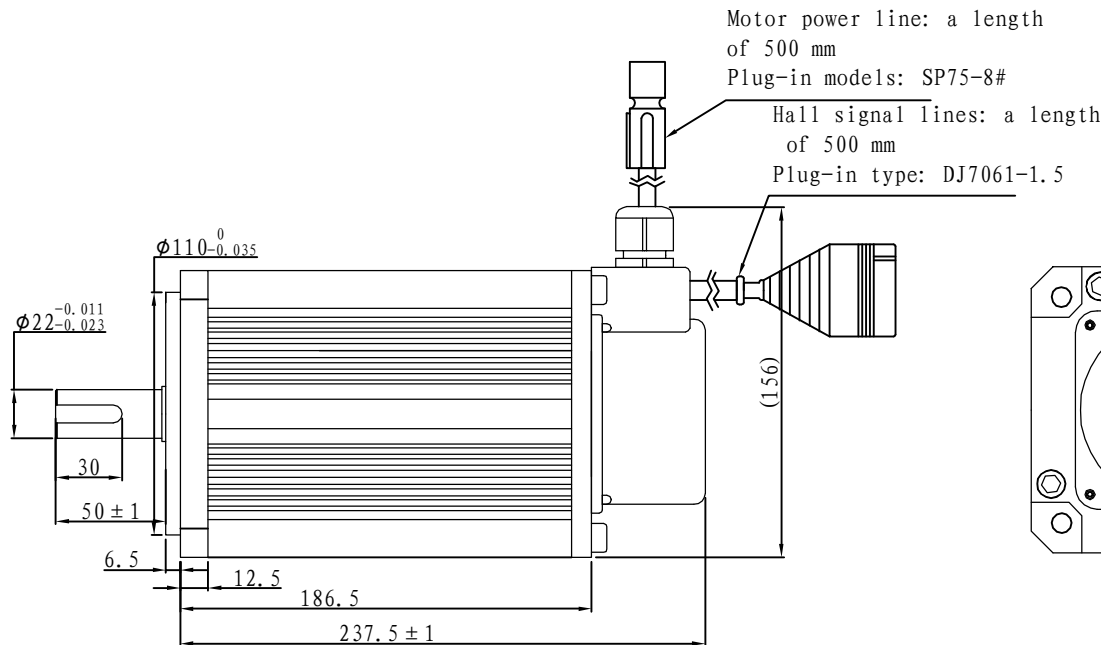
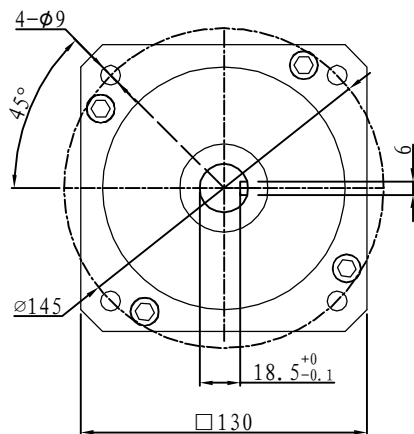
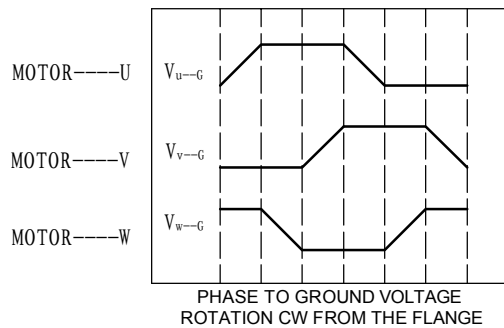
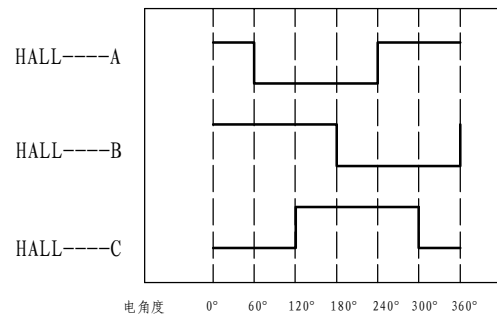


# Demension

# Brushless



## Motor to Hall Relationship



## Line Define

### Power Wire

Red	Motor U
Yellow	Motor V
Blue	Motor W

### Feedback Wire

Hall line colour	Hall signal definition	Plug serial number
Orange and black	5V	1
Orange	0V	2
Yellow	Hall A	4
Blue	Hall B	5
Green	Hall C	6

## Tecnichal Data

Type	130WD-M10010-96V
Power (KW)	1.0
Rated voltage (V)	96
Rated current (A)	12.8
Rated speed (rpm)	1000
Rated torque (NM)	10
Rotor inertia (Kgcm <sup>2</sup> )	21.4
Protection rank	IP65
Insulation rank	F
Appropriate environment	Temperature: 0~50℃ Humidity: <90% (No dewdrop)
Motor weight (KG)	12