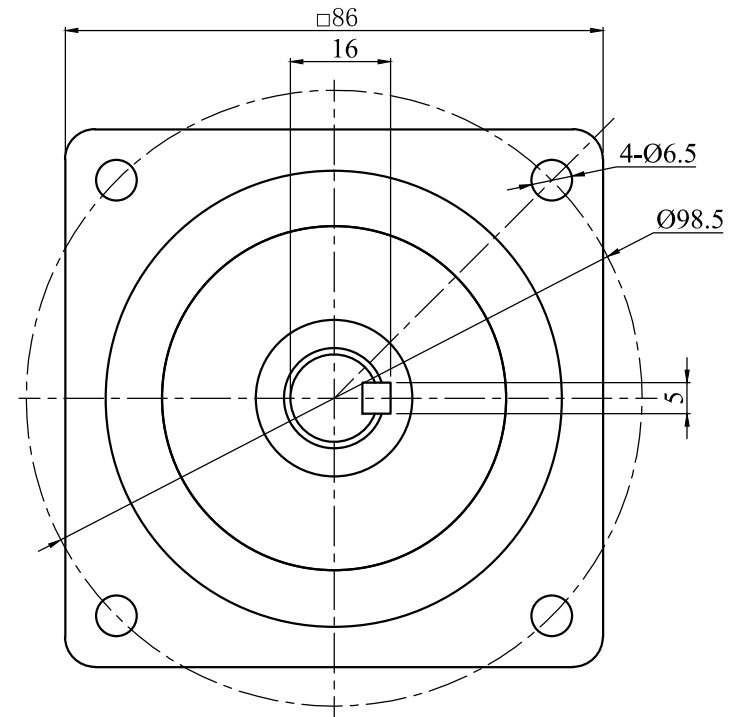
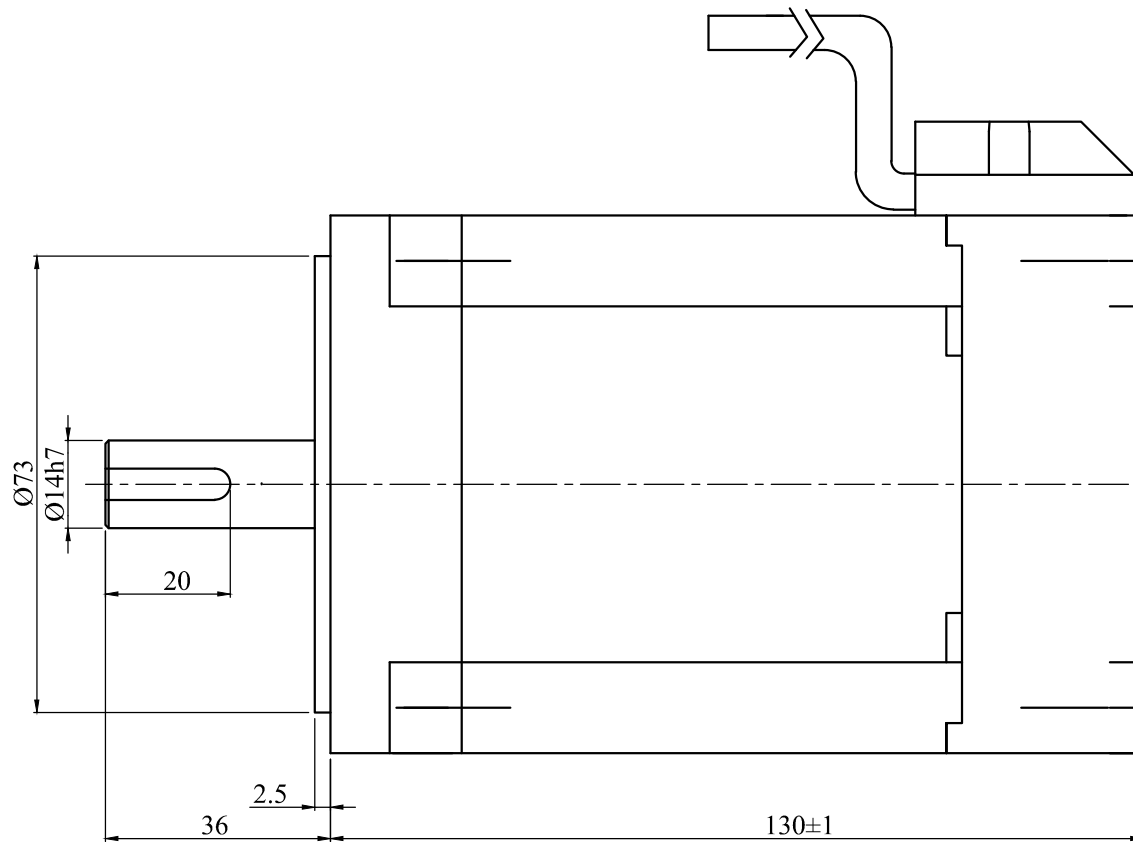


# 500W DC24V 2000r/min Brushless DC Motor

**Brushless**



**Specification:**

Style#:DB86-24(500W-20S)

Rated Voltage:24VDC

Rated Power:500W

Rated Current:29.76A

Rated Speed:2000r/min $\pm 10\%$

Rated Torque:2.38N.m

Protection Rank: IP54

Environment Temperature:0-40 °C

Environment Humidity:20%–85% RH (non-condensing)

Number of Poles: 8

Power wire			Hall wire				
Red	Yellow	Black	Red	Black	Blue	Green	White
U	V	W	5V	GND	HA	HB	HC