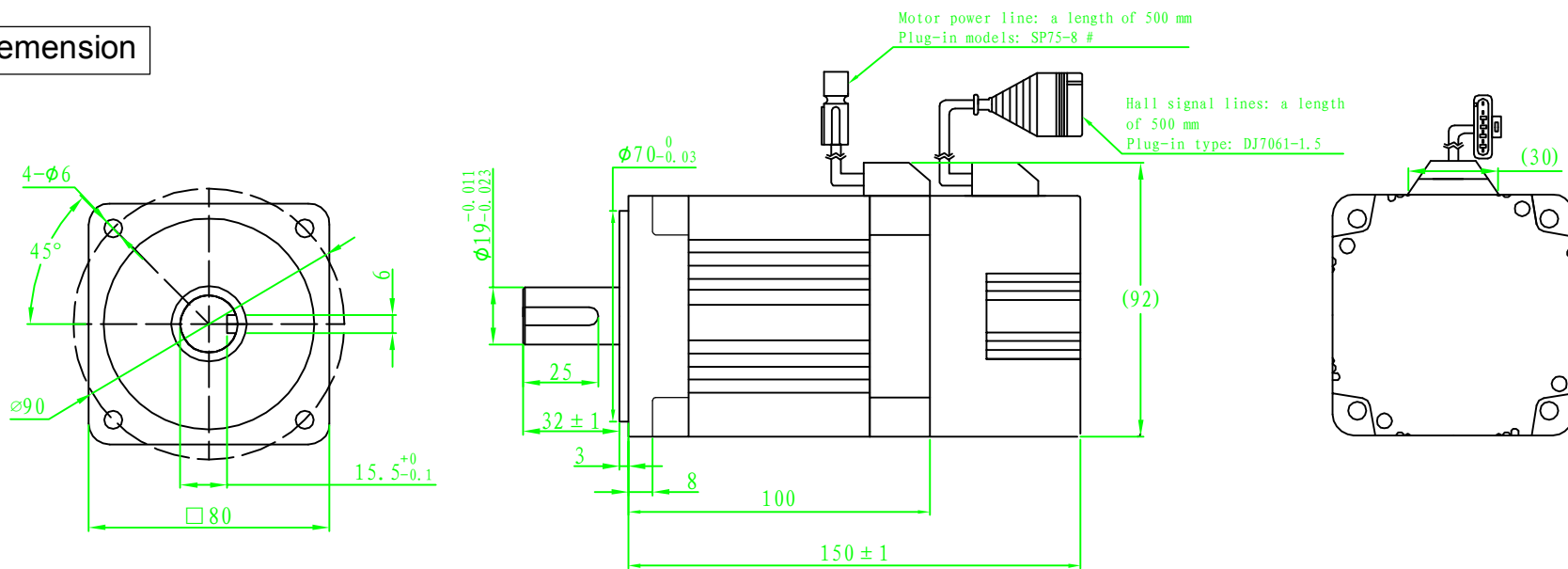
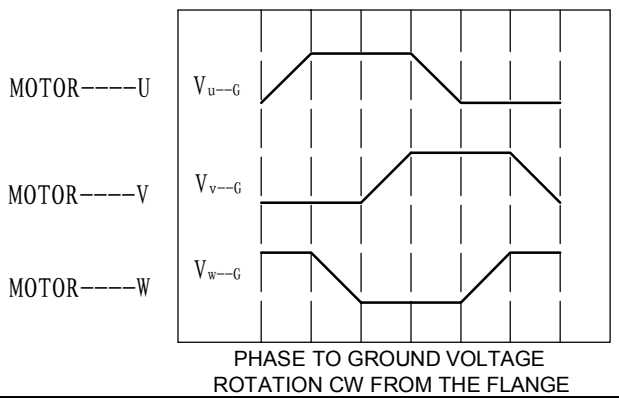
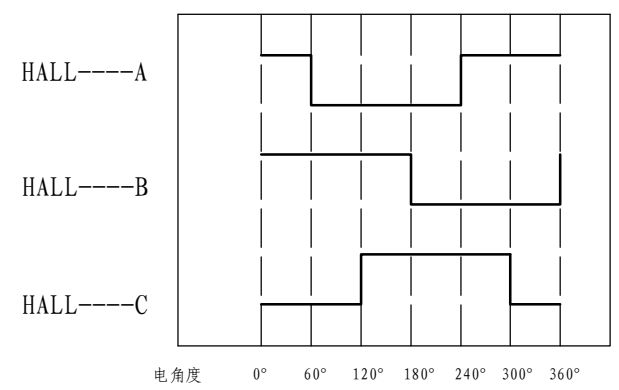


Demension



Motor to Hall Relationship



Line Define

Power Wire

| | |
|--------|---------|
| Red | Motor U |
| Yellow | Motor V |
| Blue | Motor W |

Feedback Wire

| Hall line colour | Hall signal definition | Plug serial number |
|------------------|------------------------|--------------------|
| Orange and black | 5V | 1 |
| Orange | 0V | 2 |
| Yellow | Hall A | 3 |
| Blue | Hall B | 4 |
| Green | Hall C | 5 |

Tecnichal Data

| | |
|------------------------------------|---|
| Type | 80WD-M01330-72V |
| Power (KW) | 0.41 |
| Rated voltage (V) | 72 |
| Rated current (A) | 7.09 |
| Rated speed (rpm) | 3000 |
| Rated torque (NM) | 1.3 |
| Rotor inertia (Kgcm ²) | 0.6 |
| Protection rank | IP54 |
| Insulation rank | F |
| Appropriate environment | Temperature: 0 ~ 50°C Humidity: <90% (No dewdrop) |
| Motor weight (KG) | 2.40 |