

Brushless

**Satisfy the customer demands
and create Brushless brand**



**DC BRUSHLESS
MOTOR
CONTROLLER**



**DC BRUSHLESS
MOTOR**



Brushless

BLDC Motor Price List

Model		Motor Price (USD/pcs)	Controller Price (USD/pcs)	Rated Power (kW)	Rated Speed (RPM)	Motor Weight (Kg)	A Dimension (mm)	B Dimension (mm)
80mm Series Brushless DC Motor								
Brushless-80WDM01330	24/48/72/96V	305.49	395.52	0.4	3000	2.5	100	150
Brushless-80WDM02420	24/48/72/96V	536.35	395.52	0.5	2000	3	120	170
Brushless-80WDM02430	24/48/72/96V	352.77	395.52	0.75	3000	3	120	170
Brushless-80WDM03320	24/48/72/96V	584.36	395.52	0.69	2000	3	155	205
110mm Series Brushless DC Motor								
Brushless-110WDM02020	24/48/72/96V	658.25	395.52	0.4	2000	3.2	114.5	145.5
Brushless-110WDM02030	24/48/72/96V	495.48	395.52	0.6	3000	3.2	114.5	145.5
Brushless-110WDM04010	24/48/72/96V	671.52	395.52	0.4	1000	5.65	139.5	170.5
Brushless-110WDM04020	24/48/72/96V	725.56	395.52	0.8	2000	5.65	169.5	199.5
Brushless-110WDM04030	24/48/72/96V	404.36	653.05	1.3	3000	5.65	169.5	199.5
Brushless-110WDM06010	24/48/72/96V	705.88	395.52	0.6	1000	6.6	169	200
Brushless-110WDM06020	24/48/72/96V	836.22	653.05	1.3	2000	6.6	169	200
Brushless-110WDM06030	24/48/72/96V	553.28	653.05	1.9	3000	6.6	169	200
130mm Series Brushless DC Motor								
Brushless-130WDM04010	24/48/72/96V	766.35	395.52	0.4	1000	6.7	126	177
Brushless-130WDM04020	24/48/72/96V	819.63	395.52	0.8	2000	6.7	126	177
Brushless-130WDM04030	24/48/72/96V	523.84	653.05	1.3	3000	6.7	126	177
Brushless-130WDM06010	24/48/72/96V	813.15	395.52	0.6	1000	7.7	136	187
Brushless-130WDM06020	24/48/72/96V	891.42	653.05	1.3	2000	7.7	136	187
Brushless-130WDM06030	24/48/72/96V	584.19	653.05	1.9	3000	7.7	146	187
Brushless-130WDM07710	24/48/72/96V	864.75	395.52	0.8	1000	9.05	150.5	201.5
Brushless-130WDM07720	24/48/72/96V	936.47	653.05	1.6	2000	9.05	160.5	212.5
Brushless-130WDM07730	24/48/72/96V	685.56	653.05	2.3	3000	9.05	150.5	201.5
Brushless-130WDM10010	24/48/72/96V	985.74	653.05	1	1000	12	196.5	247.5
Brushless-130WDM10020	24/48/72/96V	1113.24	653.05	2	2000	12	196.5	247.5
Brushless-130WDM15010	24/48/72/96V	1227.54	653.05	1.6	1000	12	232	283
Brushless-130WDM10030	48/72/96V	729.12	898.21	3.1	3000	12	196.5	247.5
Brushless-130WDM15020	48/72/96V	1324.78	898.21	3.1	2000	12	232	283
Brushless-130WDM15030	48/72/96V	806.69	1119.07	4.7	3000	12	232	283
180mm Series Brushless DC Motor								
Brushless-180WDM12010	48/72/96V	1646.31	653.05	1.3	1000	18.5	205	255
Brushless-180WDM12020	48/72/96V	1823.69	653.05	2.5	2000	18.5	205	255
Brushless-180WDM12030	48/72/96V	1298.84	898.21	3.8	3000	18.5	205	255
Brushless-180WDM16010	48/72/96V	1855.69	653.05	1.7	1000	18.6	205	255
Brushless-180WDM16020	48/72/96V	2125.36	898.21	3.4	2000	18.6	205	255
Brushless-180WDM16030	48/72/96V	1345.93	1119.07	5	3000	18.6	205	255
Brushless-180WDM25010	48/72/96V	2612.54	653.05	2.6	1000	26	243	294
Brushless-180WDM25020	48/72/96V	2874.19	1119.07	5.2	2000	26	243	273
Brushless-180WDM25030	48/72/96V	1848.58	1531.99	7.9	3000	26	243	273
Brushless-180WDM36010	48/72/96V	2944.28	898.21	3.8	1000	30	298	349
Brushless-180WDM36020	48/72/96V	3232.56	1119.07	7.5	2000	30	298	349
Brushless-180WDM50010	48/72/96V	3384.58	1119.07	5.2	1000	38	315	366
Brushless-180WDM50020	48/72/96V	4344.12	1531.99	10.8	2000	38	315	366
Brushless-180WDM36030	72/96V	2134.69	1885.15	11.3	3000	30	298	349
Brushless-180WDM50030	96V	5204.65	2261.84	15.7	3000	38	315	366

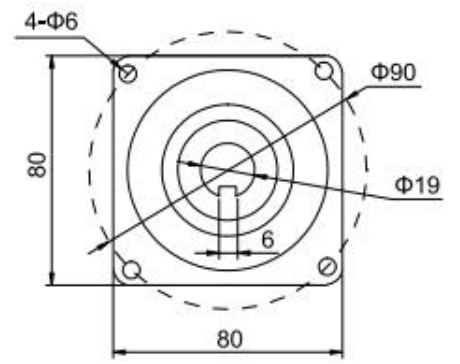
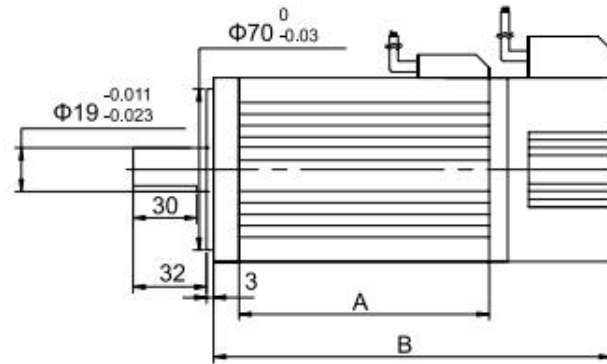
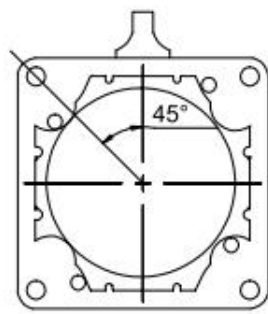
Note:

- All of the models can be customized according to your requirements, **delivery time about 25 days.**
- The prices in the table are just for your reference. If you want to get the latest quotation, please feel free to contact us.

Brushless

80mm Series Brushless DC Motor

DIMENSION: UNIT=mm



SPECIFICATIONS

Model	Rated Voltage (V)	Rated Power (kW)	Rated Torque (Nm)	Rated Speed (RPM)	Rated Electric Current (A)	Peak Torque (Nm)	Maximum Speed (RPM)	Maximum Power (kW)	Electric Potential (V/K rpm)
Brushless-80WDM01330-24	24	0.4	1.3	3000	21.27	4	3600	1.2	6.7
Brushless-80WDM02420-24	24	0.5	2.4	2000	26.18	7.5	2400	1.5	10.0
Brushless-80WDM02430-24	24	0.75	2.4	3000	39.27	7.5	3600	2.3	6.7
Brushless-80WDM03320-24	24	0.69	3.3	2000	36	10	2400	1.8	6.7
Brushless-80WDM01330-48	48	0.4	1.3	3000	10.63	4	3600	1.2	13.3
Brushless-80WDM02420-48	48	0.5	2.4	2000	13.09	7.5	2400	1.5	20
Brushless-80WDM02430-48	48	0.75	2.4	3000	19.63	7.5	3600	2.3	13.3
Brushless-80WDM03320-48	48	0.69	3.3	2000	18.00	10	2400	1.8	13.3
Brushless-80WDM01330-72	72	0.4	1.3	3000	7.09	4	3600	1.2	20
Brushless-80WDM02420-72	72	0.5	2.4	2000	8.73	7.5	2400	1.5	30
Brushless-80WDM02430-72	72	0.75	2.4	3000	13.09	7.5	3600	2.3	20
Brushless-80WDM03320-72	72	0.69	3.3	2000	12	10	2400	1.8	20
Brushless-80WDM01330-96	96	0.4	1.3	3000	5.32	4	3600	1.2	26.7
Brushless-80WDM02420-96	96	0.5	2.4	2000	6.54	7.5	2400	1.5	40
Brushless-80WDM02430-96	96	0.75	2.4	3000	9.82	7.5	3600	2.3	26.7
Brushless-80WDM03320-96	96	0.69	3.3	2000	9	10	2400	1.8	26.7

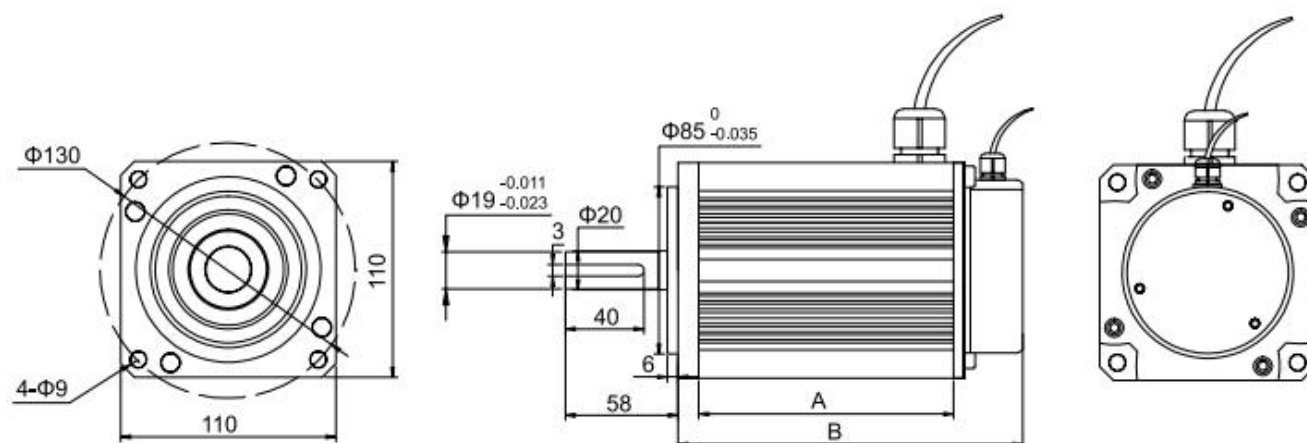
Note: Motor power, voltage, speed can be customized.

Brushless

110mm Series Brushless DC Motor



DIMENSION: UNIT=mm



SPECIFICATIONS

Model	Rated Voltage (V)	Rated Power (kW)	Rated Torque (Nm)	Rated Speed (RPM)	Rated Electric Current (A)	Peak Torque (Nm)	Maximum Speed (RPM)	Maximum Power (kW)	Electric Potential (V/K rpm)
Brushless-110WDM02020-24	24	0.4	2	2000	21.8	6	2400	1.3	10.0
Brushless-110WDM02030-24	24	0.6	2	3000	32.7	6	3600	1.9	6.7
Brushless-110WDM04010-24	24	0.4	4	1000	21.8	12	1200	1.3	20.0
Brushless-110WDM04020-24	24	0.8	4	2000	43.6	12	2400	2.5	10.0
Brushless-110WDM04030-24	24	1.3	4	3000	65.4	12	3600	3.8	6.7
Brushless-110WDM06010-24	24	0.6	6	1000	32.7	18	1200	1.9	20.0
Brushless-110WDM06020-24	24	1.3	6	2000	65.4	18	2400	3.8	10.0
Brushless-110WDM06030-24	24	1.9	6	3000	98.2	18	3600	5.7	6.7
Brushless-110WDM02020-48	48	0.4	2	2000	10.9	6	2400	1.3	20.0
Brushless-110WDM02030-48	48	0.6	2	3000	16.4	6	3600	1.9	13.3
Brushless-110WDM04010-48	48	0.4	4	1000	10.9	12	1200	1.3	40.0
Brushless-110WDM04020-48	48	0.8	4	2000	21.8	12	2400	2.5	20.0
Brushless-110WDM04030-48	48	1.3	4	3000	32.7	12	3600	3.8	13.3
Brushless-110WDM06010-48	48	0.6	6	1000	16.4	18	1200	1.9	40.0
Brushless-110WDM06020-48	48	1.3	6	2000	32.7	18	2400	3.8	20.0
Brushless-110WDM06030-48	48	1.9	6	3000	49.1	18	3600	5.7	13.3

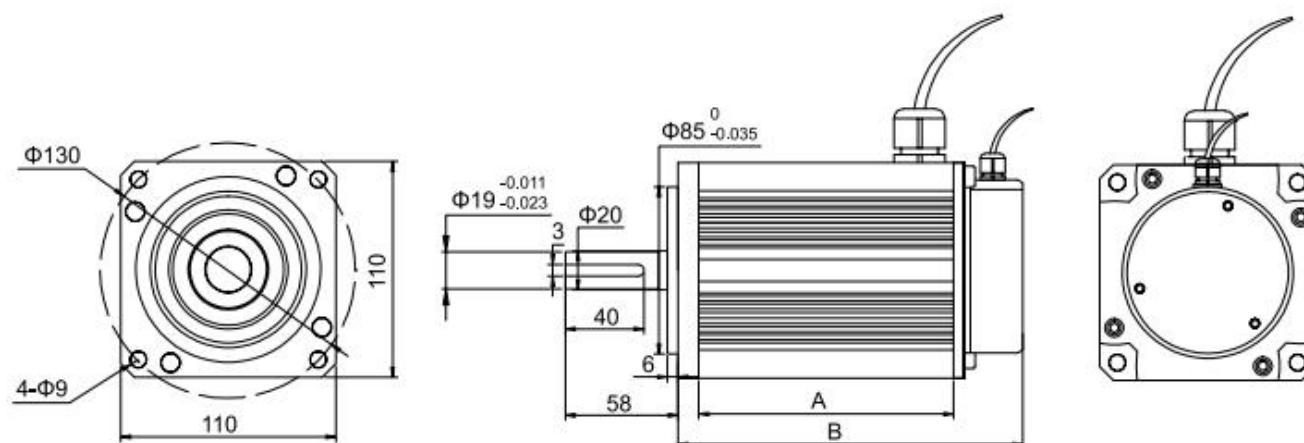
Note: Motor power, voltage, speed can be customized.

Brushless

110mm Series Brushless DC Motor



DIMENSION: UNIT=mm



SPECIFICATIONS

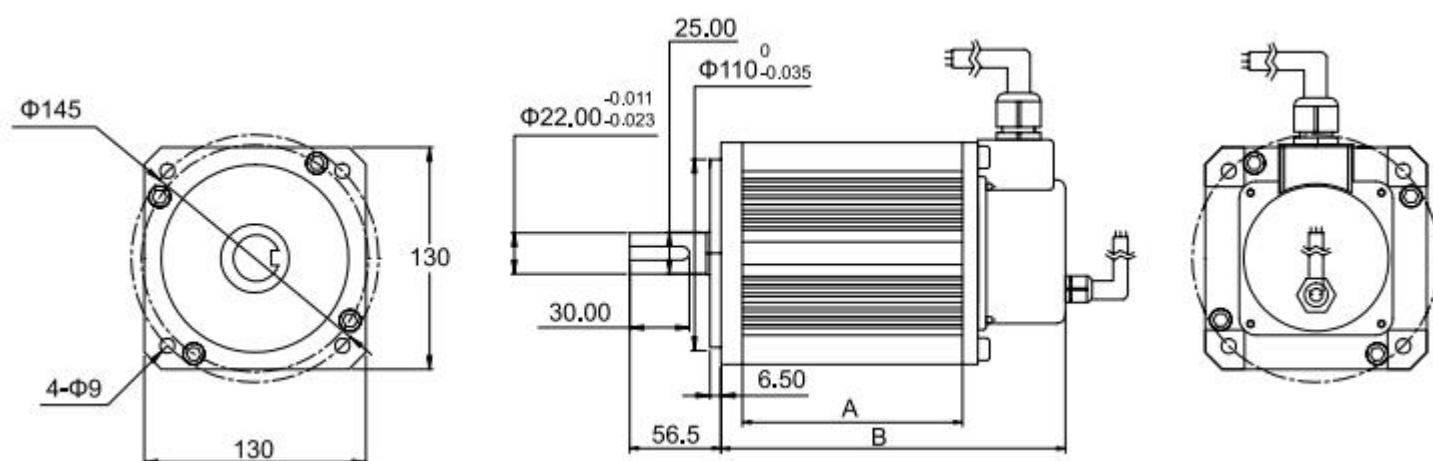
Model	Rated Voltage (V)	Rated Power (kW)	Rated Torque (Nm)	Rated Speed (RPM)	Rated Electric Current (A)	Peak Torque (Nm)	Maximum Speed (RPM)	Maximum Power (kW)	Electric Potential (V/K rpm)
Brushless-110WDM02020-72	72	0.4	2	2000	7.3	6	2400	1.3	10.0
Brushless-110WDM02030-72	72	0.6	2	3000	10.9	6	3600	1.9	6.7
Brushless-110WDM04010-72	72	0.4	4	1000	7.3	12	1200	1.3	20.0
Brushless-110WDM04020-72	72	0.8	4	2000	14.5	12	2400	2.5	10.0
Brushless-110WDM04030-72	72	1.3	4	3000	21.8	12	3600	3.8	6.7
Brushless-110WDM06010-72	72	0.6	6	1000	10.9	18	1200	1.9	20.0
Brushless-110WDM06020-72	72	1.3	6	2000	21.8	18	2400	3.8	10.0
Brushless-110WDM06030-72	72	1.9	6	3000	32.7	18	3600	5.7	6.7
Brushless-110WDM02020-96	96	0.4	2	2000	5.5	6	2400	1.3	40.0
Brushless-110WDM02030-96	96	0.6	2	3000	8.2	6	3600	1.9	26.7
Brushless-110WDM04010-96	96	0.4	4	1000	5.5	12	1200	1.3	80.0
Brushless-110WDM04020-96	96	0.8	4	2000	10.9	12	2400	2.5	40.0
Brushless-110WDM04030-96	96	1.3	4	3000	16.4	12	3600	3.8	26.7
Brushless-110WDM06010-96	96	0.6	6	1000	8.2	18	1200	1.9	80.0
Brushless-110WDM06020-96	96	1.3	6	2000	16.4	18	2400	3.8	40.0
Brushless-110WDM06030-96	96	1.9	6	3000	24.5	18	3600	5.7	26.7

Note: Motor power, voltage, speed can be customized.

Brushless

130mm Series Brushless DC Motor

DIMENSION: UNIT=mm



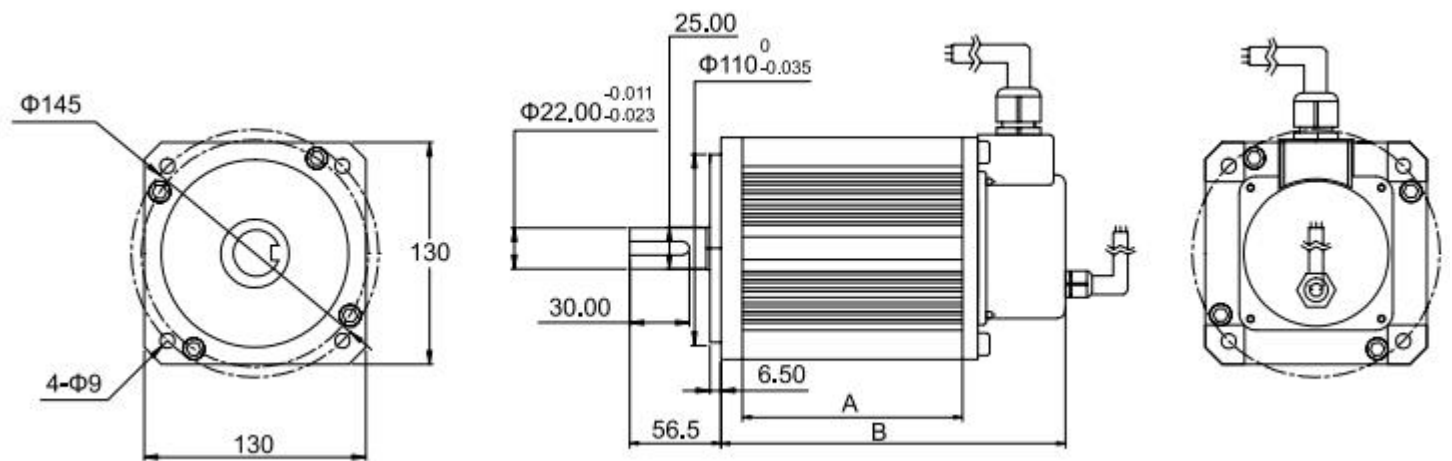
SPECIFICATIONS

Model	Rated Voltage (V)	Rated Power (kW)	Rated Torque (Nm)	Rated Speed (RPM)	Rated Electric Current (A)	Peak Torque (Nm)	Maximum Speed (RPM)	Maximum Power (kW)	Electric Potential (V/K rpm)
Brushless-130WDM04010-24	24	0.4	4	1000	20.5	12	1200	1.3	20.0
Brushless-130WDM04020-24	24	0.8	4	2000	41.1	12	2400	2.5	10.0
Brushless-130WDM04030-24	24	1.3	4	3000	61.6	12	3600	3.8	6.7
Brushless-130WDM06010-24	24	0.6	6	1000	30.8	18	1200	1.9	20.0
Brushless-130WDM06020-24	24	1.3	6	2000	61.6	18	2400	3.8	10.0
Brushless-130WDM06030-24	24	1.9	6	3000	92.4	18	3600	5.7	6.7
Brushless-130WDM07710-24	24	0.8	7.7	1000	39.5	23	1200	2.4	20.0
Brushless-130WDM07720-24	24	1.6	7.7	2000	79.0	23	2400	4.8	10.0
Brushless-130WDM07730-24	24	2.3	7.7	3000	118.6	23	3600	7.3	6.7
Brushless-130WDM10010-24	24	1.0	10	1000	51.3	30	1200	3.1	20.0
Brushless-130WDM10020-24	24	2.0	10	2000	102.7	30	2400	6.3	10.0
Brushless-130WDM15010-24	24	1.6	15	1000	77.0	40	1200	4.7	20.0
Brushless-130WDM04010-48	48	0.4	4	1000	10.3	12	1200	1.3	40.0
Brushless-130WDM04020-48	48	0.8	4	2000	20.5	12	2400	2.5	20.0
Brushless-130WDM04030-48	48	1.3	4	3000	30.8	12	3600	3.8	13.3
Brushless-130WDM06010-48	48	0.6	6	1000	15.4	18	1200	1.9	40.0
Brushless-130WDM06020-48	48	1.3	6	2000	30.8	18	2400	3.8	20.0
Brushless-130WDM06030-48	48	1.9	6	3000	46.2	18	3600	5.7	13.3
Brushless-130WDM07710-48	48	0.8	7.7	1000	19.8	23	1200	2.4	40.0

Brushless

130mm Series Brushless DC Motor

DIMENSION: UNIT=mm



SPECIFICATIONS

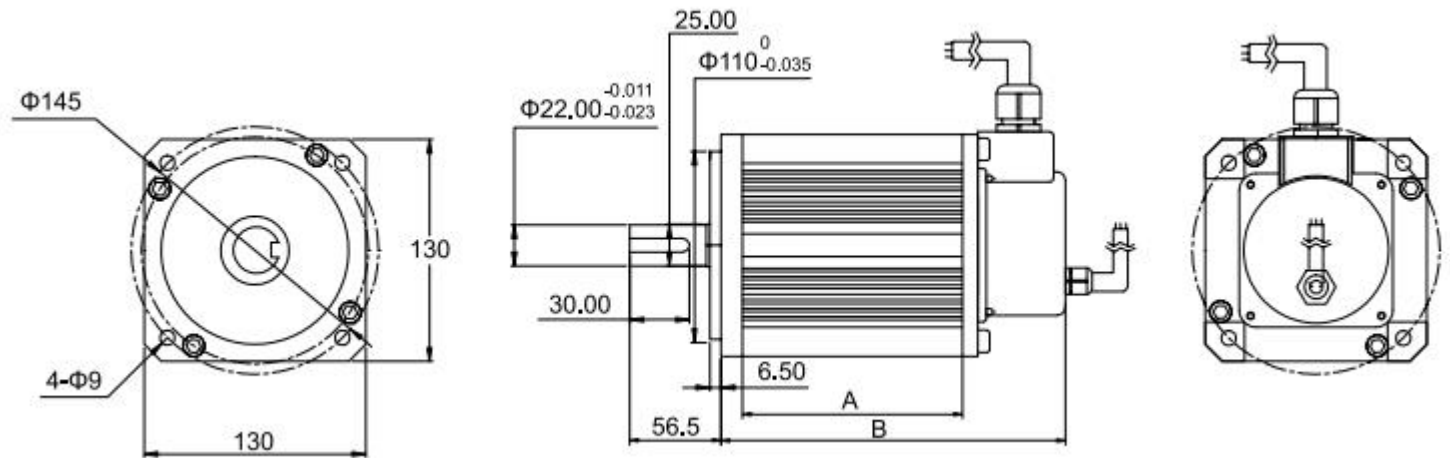
Model	Rated Voltage (V)	Rated Power (kW)	Rated Torque (Nm)	Rated Speed (RPM)	Rated Electric Current (A)	Peak Torque (Nm)	Maximum Speed (RPM)	Maximum Power (kW)	Electric Potential (V/K rpm)
Brushless-130WDM07720-48	48	1.6	7.7	2000	39.5	23	2400	4.8	20.0
Brushless-130WDM07730-48	48	2.3	7.7	3000	59.3	23	3600	7.3	13.3
Brushless-130WDM10010-48	48	1.0	10	1000	25.7	30	1200	3.1	40.0
Brushless-130WDM10020-48	48	2.0	10	2000	51.3	30	2400	6.3	20.0
Brushless-130WDM10030-48	48	3.1	10	3000	77.0	30	3600	9.4	13.3
Brushless-130WDM15010-48	48	1.6	15	1000	38.5	40	1200	4.7	20.0
Brushless-130WDM15020-48	48	3.1	15	2000	77.0	40	2400	9.4	20.0
Brushless-130WDM15030-48	48	4.7	15	3000	115.5	40	3600	14.1	10.0
Brushless-130WDM04010-72	72	0.4	4	1000	6.8	12	1200	1.3	60.0
Brushless-130WDM04020-72	72	0.8	4	2000	13.7	12	2400	2.5	30.0
Brushless-130WDM04030-72	72	1.3	4	3000	20.5	12	3600	3.8	20.0
Brushless-130WDM06010-72	72	0.6	6	1000	10.3	18	1200	1.9	60.0
Brushless-130WDM06020-72	72	1.3	6	2000	20.5	18	1200	3.8	30.0
Brushless-130WDM06030-72	72	1.9	6	3000	30.8	18	3600	5.7	20.0
Brushless-130WDM07710-72	72	0.8	7.7	1000	13.2	23	1200	2.4	60.0
Brushless-130WDM07720-72	72	1.6	7.7	2000	26.3	23	2400	4.8	30.0
Brushless-130WDM07730-72	72	2.3	7.7	3000	39.5	23	3600	7.3	20.0
Brushless-130WDM10010-72	72	1.0	10	1000	17.1	30	1200	3.1	60.0
Brushless-130WDM10020-72	72	2.0	10	2000	34.2	30	2400	6.3	30.0

Brushless

130mm Series Brushless DC Motor



DIMENSION: UNIT=mm



SPECIFICATIONS

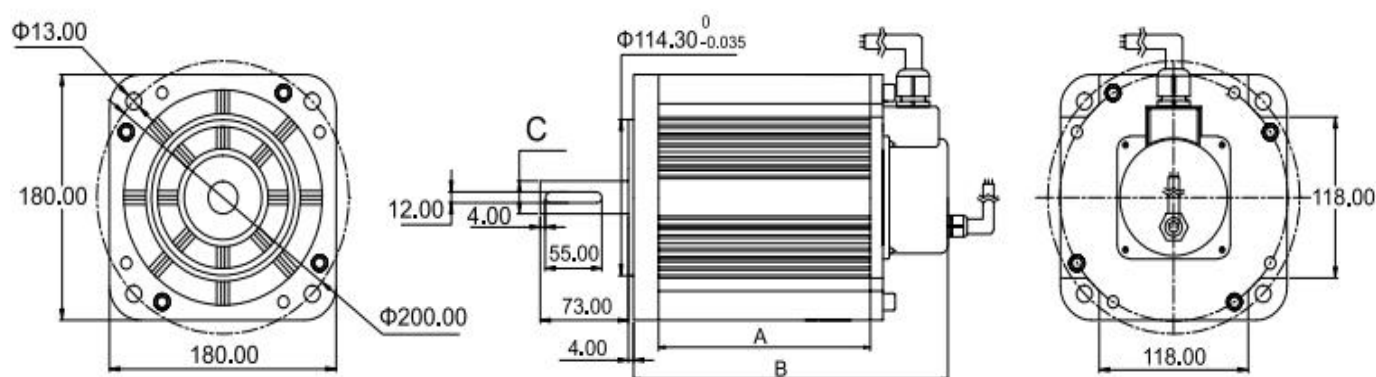
Model	Rated Voltage (V)	Rated Power (kW)	Rated Torque (Nm)	Rated Speed (RPM)	Rated Electric Current (A)	Peak Torque (Nm)	Maximum Speed (RPM)	Maximum Power (kW)	Electric Potential (V/K rpm)
Brushless-130WDM10030-72	72	3.1	10	3000	57.3	30	3600	9.4	20.0
Brushless-130WDM15010-72	72	1.6	15	1000	25.7	40	1200	4.7	60.0
Brushless-130WDM15020-72	72	3.1	15	2000	51.3	40	2400	9.4	30.0
Brushless-130WDM15030-72	72	4.7	15	3000	77.0	40	3600	14.1	20.0
Brushless-130WDM04010-96	96	0.4	4	1000	5.1	12	1200	1.3	80.0
Brushless-130WDM04020-96	96	0.8	4	2000	10.3	12	2400	2.5	40.0
Brushless-130WDM04030-96	96	1.3	4	3000	15.4	12	3600	3.8	26.7
Brushless-130WDM06010-96	96	0.6	6	1000	7.7	18	1200	1.9	80.0
Brushless-130WDM06020-96	96	1.3	6	2000	15.4	18	1200	3.8	40.0
Brushless-130WDM06030-96	96	1.9	6	3000	23.1	18	3600	5.7	26.7
Brushless-130WDM07710-96	96	0.8	7.7	1000	9.9	23	1200	2.4	80.0
Brushless-130WDM07720-96	96	1.6	7.7	2000	19.8	23	2400	4.8	40.0
Brushless-130WDM07730-96	96	2.3	7.7	3000	29.6	23	3600	7.3	26.7
Brushless-130WDM10010-96	96	1.0	10	1000	12.8	30	1200	3.1	80.0
Brushless-130WDM10020-96	96	2.0	10	2000	25.7	30	2400	6.3	40.0
Brushless-130WDM10030-96	96	3.1	10	3000	38.5	30	3600	9.4	26.7
Brushless-130WDM15010-96	96	1.6	15	1000	19.2	40	1200	4.7	80.0
Brushless-130WDM15020-96	96	3.1	15	2000	38.5	40	2400	9.4	40.0
Brushless-130WDM15030-96	96	4.7	15	3000	57.7	40	3600	14.1	26.7

Brushless

180mm Series Brushless DC Motor



DIMENSION: UNIT=mm



SPECIFICATIONS

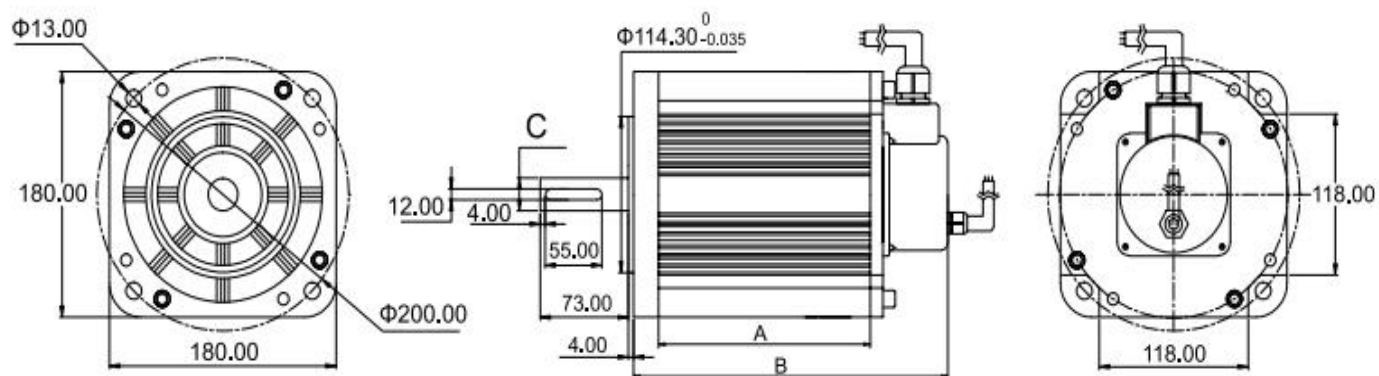
Model	Rated Voltage (V)	Rated Power (kW)	Rated Torque (Nm)	Rated Speed (RPM)	Rated Electric Current (A)	Peak Torque (Nm)	Maximum Speed (RPM)	Maximum Power (kW)	Electric Potential (V/K rpm)
Brushless-180WDM12010-48	48	1.3	12	1000	31	30	1200	3.1	40.0
Brushless-180WDM12020-48	48	2.5	12	2000	62	30	2400	6.3	20.0
Brushless-180WDM12030-48	48	3.8	12	3000	92	30	3600	9.4	13.3
Brushless-180WDM16010-48	48	1.7	16	1000	41	42	1200	4.2	40.0
Brushless-180WDM16020-48	48	3.4	16	2000	82	42	2400	8.4	20.0
Brushless-180WDM16030-48	48	5.0	16	3000	123	42	3600	12.6	13.3
Brushless-180WDM25010-48	48	2.6	25	1000	64	55	1200	6.5	40.0
Brushless-180WDM25020-48	48	5.2	25	2000	128	55	2400	13.1	20.0
Brushless-180WDM25030-48	48	7.9	25	3000	192	55	3600	19.6	13.3
Brushless-180WDM36010-48	48	3.8	36	1000	92	70	1200	9.4	40.0
Brushless-180WDM36020-48	48	7.5	36	2000	185	70	2400	18.8	20.0
Brushless-180WDM50010-48	48	5.2	50	1000	128	110	1200	13.1	40.0
Brushless-180WDM50020-48	48	10.5	50	2000	257	110	2400	26.2	20.0
Brushless-180WDM12010-72	72	1.3	12	1000	21	30	1200	3.1	60.0
Brushless-180WDM12020-72	72	2.5	12	2000	41	30	2400	6.3	30.0
Brushless-180WDM12030-72	72	3.8	12	3000	62	30	3600	9.4	20.0
Brushless-180WDM16010-72	72	1.7	16	1000	27	42	1200	4.2	60.0
Brushless-180WDM16020-72	72	3.4	16	2000	55	42	2400	8.4	30.0
Brushless-180WDM16030-72	72	5.0	16	3000	82	42	3600	12.6	20.0
Brushless-180WDM25010-72	72	2.6	25	1000	43	55	1200	6.5	60.0
Brushless-180WDM25020-72	72	5.2	25	2000	86	55	2400	13.1	30.0

Brushless

180mm Series Brushless DC Motor



DIMENSION: UNIT=mm



SPECIFICATIONS

Model	Rated Voltage (V)	Rated Power (kW)	Rated Torque (Nm)	Rated Speed (RPM)	Rated Electric Current (A)	Peak Torque (Nm)	Maximum Speed (RPM)	Maximum Power (kW)	Electric Potential (V/K rpm)
Brushless-180WDM25030-72	72	7.9	25	3000	128	55	3600	19.6	20.0
Brushless-180WDM36010-72	72	3.8	36	1000	62	70	1200	9.4	60.0
Brushless-180WDM36020-72	72	7.5	36	2000	123	70	2400	18.8	30.0
Brushless-180WDM36030-72	72	11.3	36	3000	185	70	3600	28.3	20.0
Brushless-180WDM50010-72	72	5.2	50	1000	86	110	1200	13.1	60.0
Brushless-180WDM50020-72	72	10.5	50	2000	171	110	2400	26.2	30.0
Brushless-180WDM12010-96	96	1.3	12	1000	15	30	1200	3.1	80.0
Brushless-180WDM12020-96	96	2.5	12	2000	31	30	2400	6.3	40.0
Brushless-180WDM12030-96	96	3.8	12	3000	46	30	3600	9.4	26.0
Brushless-180WDM16010-96	96	1.7	16	1000	21	42	1200	4.2	80.0
Brushless-180WDM16020-96	96	3.4	16	2000	41	42	2400	8.4	40.0
Brushless-180WDM16030-96	96	5.0	16	3000	62	42	3600	12.6	26.0
Brushless-180WDM25010-96	96	2.6	25	1000	32	55	1200	6.5	80.0
Brushless-180WDM25020-96	96	5.2	25	2000	64	55	2400	13.1	40.0
Brushless-180WDM25030-96	96	7.9	25	3000	96	55	3600	19.6	26.0
Brushless-180WDM36010-96	96	3.8	36	1000	46	70	1200	9.4	80.0
Brushless-180WDM36020-96	96	7.5	36	2000	92	70	2400	18.8	40.0
Brushless-180WDM36030-96	96	11.3	36	3000	139	70	3600	28.3	26.0
Brushless-180WDM50010-96	96	5.2	50	1000	64	110	1200	13.1	80.0
Brushless-180WDM50020-96	96	10.5	50	2000	128	110	2400	26.2	40.0
Brushless-180WDM50030-96	96	15.7	50	3000	192	110	3600	39.3	26.0