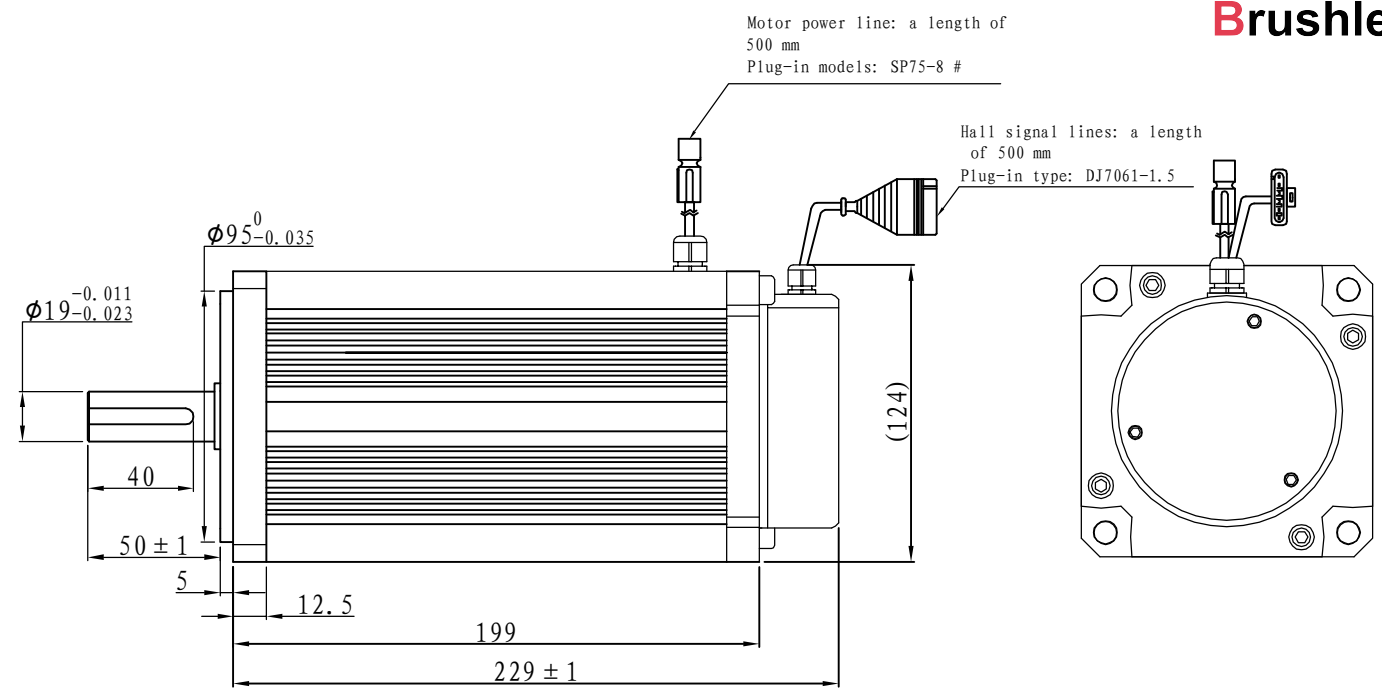
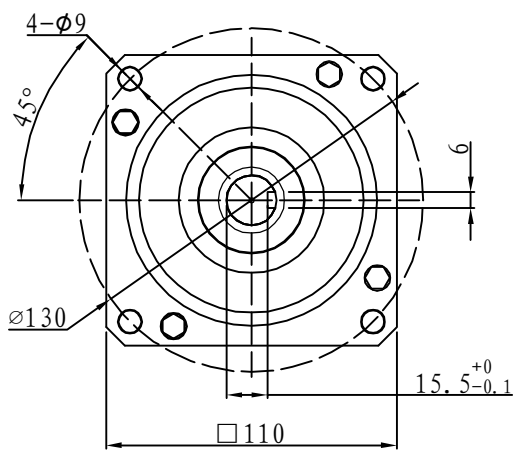
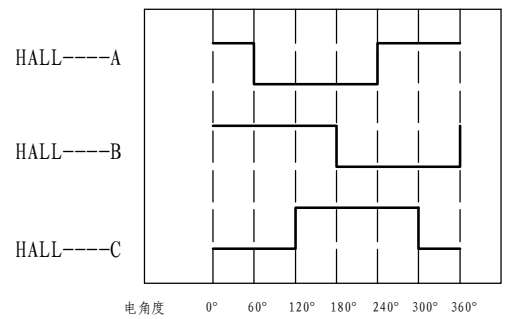


Demension

Brushless



Motor to Hall Relationship



Line Define

Power Wire

Red	Motor U
Yellow	Motor V
Blue	Motor W

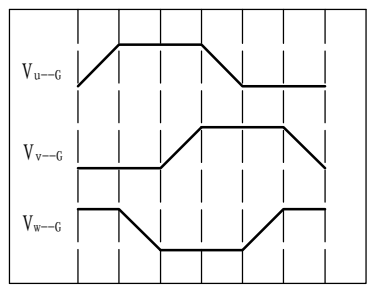
Feedback Wire

Hall line colour	Hall signal definition	Plug serial number
Orange and black	5V	1
Orange	0V	2
Yellow	Hall A	4
Blue	Hall B	5
Green	Hall C	6

Tecnical Data

Type	110WD-M06030-24V
Power (KW)	1.9
Rated voltage (V)	24
Rated current (A)	98.2
Rated speed (rpm)	3000
Rated torque (NM)	6
Rotor inertia (Kgcm ²)	10
Protection rank	IP65
Insulation rank	F
Appropriate environment	Temperature: 0 ~ 50°C Humidity: <90% (No dewdrop)
Motor weight (KG)	6.6

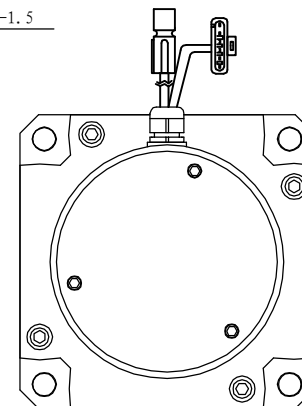
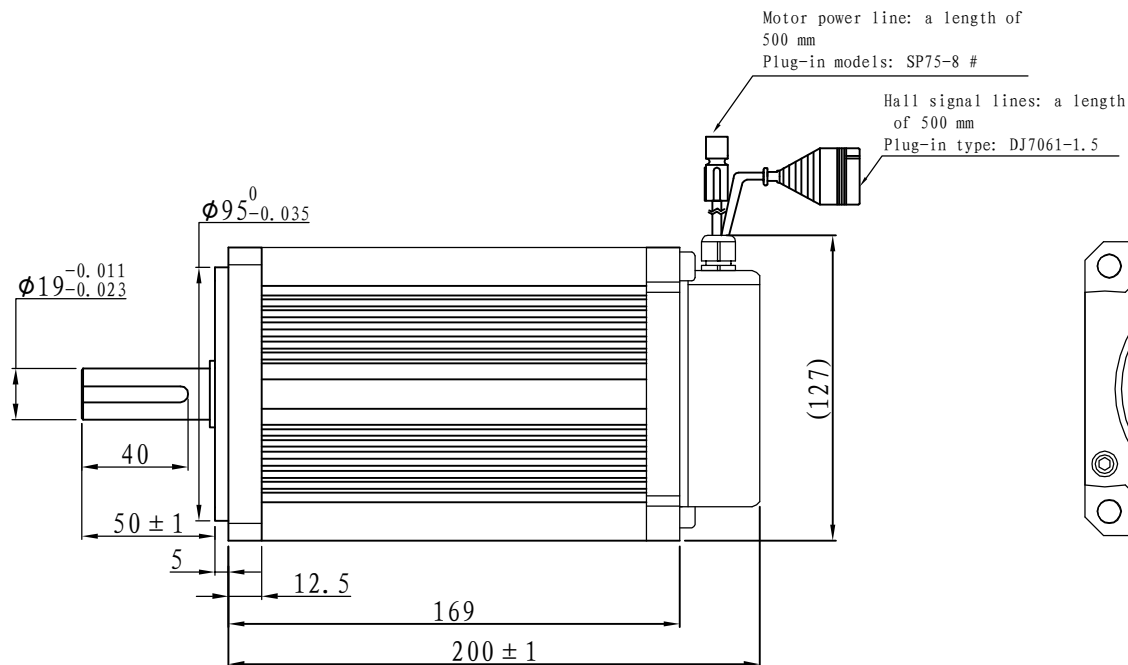
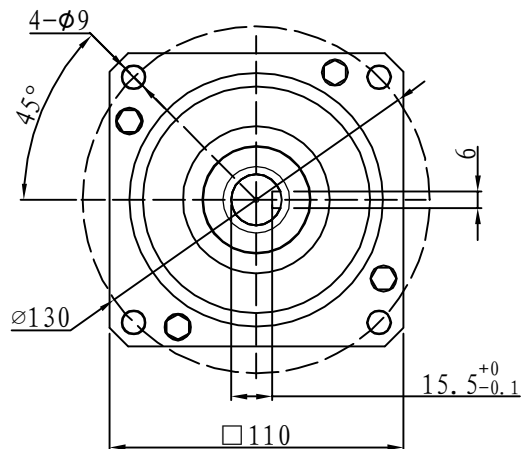
MOTOR---U
MOTOR---V
MOTOR---W



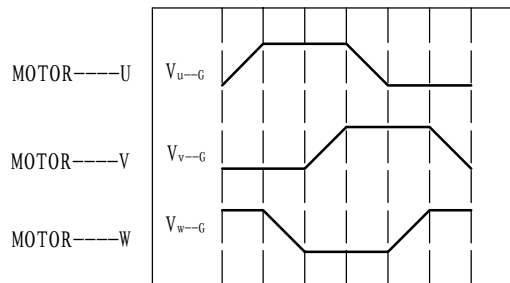
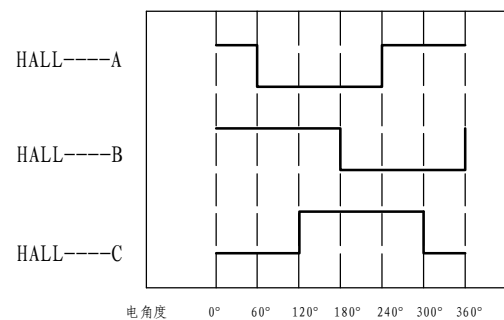
PHASE TO GROUND VOLTAGE
ROTATION CW FROM THE FLANGE

Demension

Brushless



Motor to Hall Relationship



PHASE TO GROUND VOLTAGE
ROTATION CW FROM THE FLANGE

Line Define

Power Wire

Red	Motor U
Yellow	Motor V
Blue	Motor W

Feedback Wire

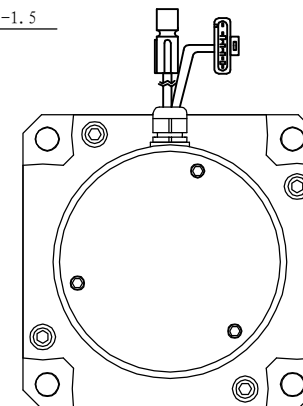
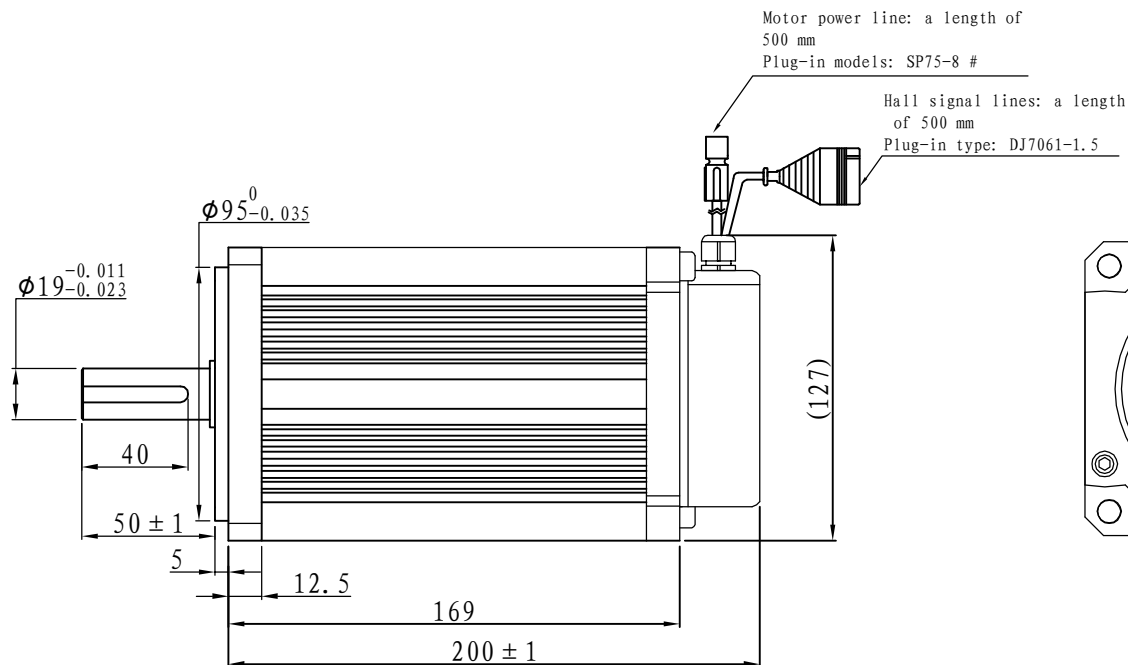
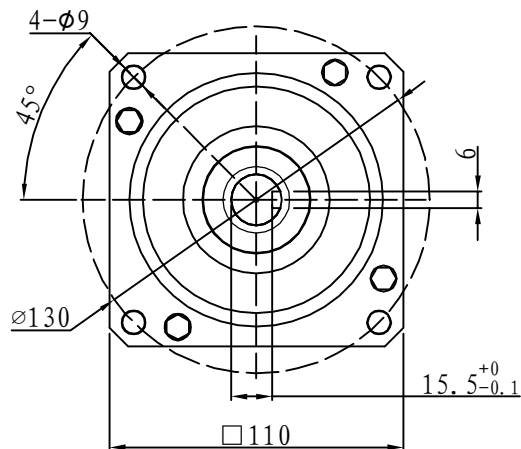
Hall line colour	Hall signal definition	Plug serial number
Orange and black	5V	1
Orange	0V	2
Yellow	Hall A	3
Blue	Hall B	4
Green	Hall C	5

Tecnichal Data

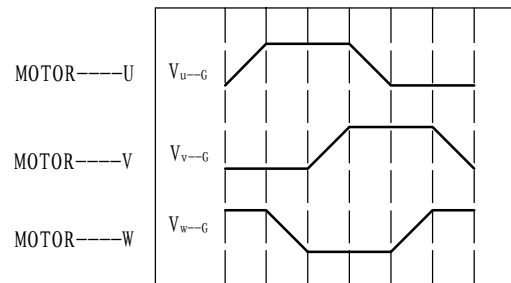
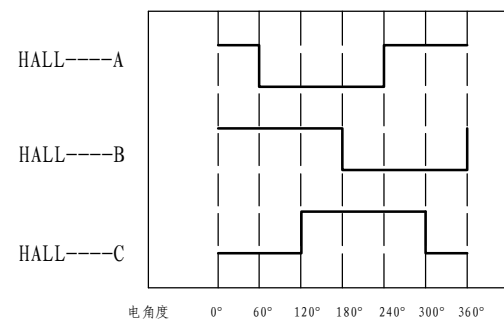
Type	110WD-M06030-48V
Power (KW)	1.8
Rated voltage (V)	48
Rated current (A)	44
Rated speed(rpm)	3000
Rated torque (NM)	6
Rotor inertia (Kgcm2)	10
Protection rank	IP65
Insulation rank	F
Appropriate environment	Temperature: 0 ~ 50°C Humidity: < 90% (No dewdrop)
Motor weight (KG)	6.6

Demension

Brushless



Motor to Hall Relationship



PHASE TO GROUND VOLTAGE
ROTATION CW FROM THE FLANGE

Line Define

Power Wire

Red	Motor U
Yellow	Motor V
Blue	Motor W

Feedback Wire

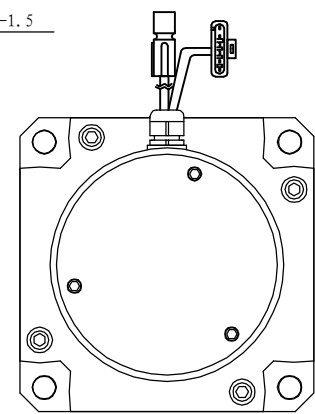
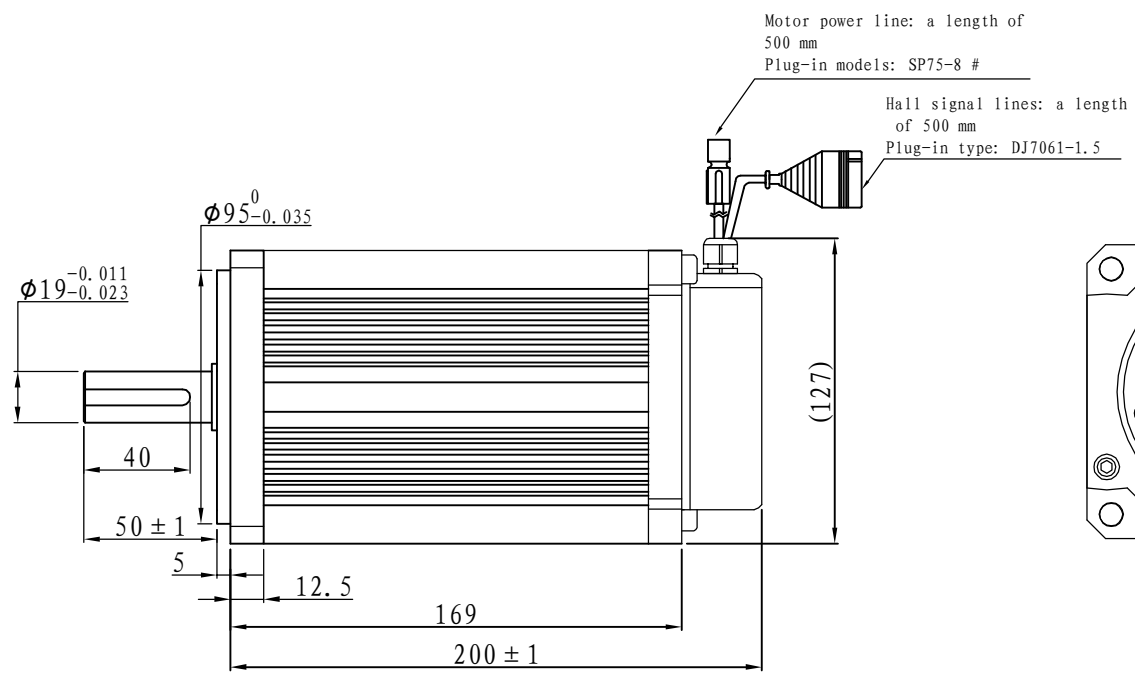
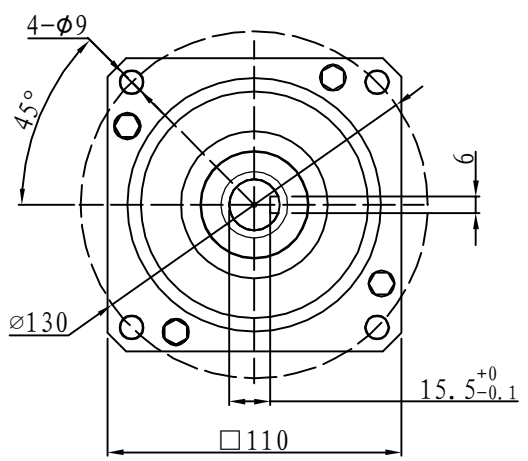
Hall line colour	Hall signal definition	Plug serial number
Orange and black	5V	1
Orange	0V	2
Yellow	Hall A	3
Blue	Hall B	4
Green	Hall C	5

Tecnichal Data

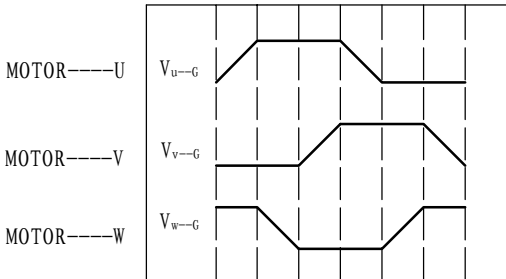
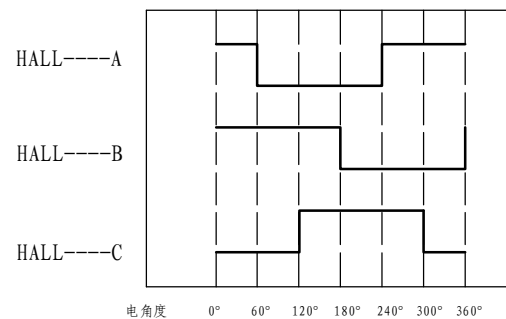
Type	110WD-M06030-72V
Power (KW)	1.9
Rated voltage (V)	72
Rated current (A)	32.7
Rated speed (rpm)	3000
Rated torque (NM)	6
Rotor inertia (Kgcm ²)	10
Protection rank	IP65
Insulation rank	F
Appropriate environment	Temperature: 0 ~ 50°C Humidity: < 90% (No dewdrop)
Motor weight (KG)	6.6

Demension

Brushless



Motor to Hall Relationship



PHASE TO GROUND VOLTAGE
ROTATION CW FROM THE FLANGE

Line Define

Power Wire	
Red	Motor U
Yellow	Motor V
Blue	Motor W

Feedback Wire

Hall line colour	Hall signal definition	Plug serial number
Orange and black	5V	1
Orange	0V	2
Yellow	Hall A	3
Blue	Hall B	4
Green	Hall C	5

Tecnihal Data

Type	110WD-M06030-96V
Power (KW)	1.8
Rated voltage (V)	96
Rated current (A)	22
Rated speed (rpm)	3000
Rated torque (NM)	6
Rotor inertia (Kgcm ²)	10
Protection rank	IP65
Insulation rank	F
Appropriate environment	Temperature: 0 ~ 50°C Humidity: < 90% (No dewdrop)
Motor weight (KG)	6.6