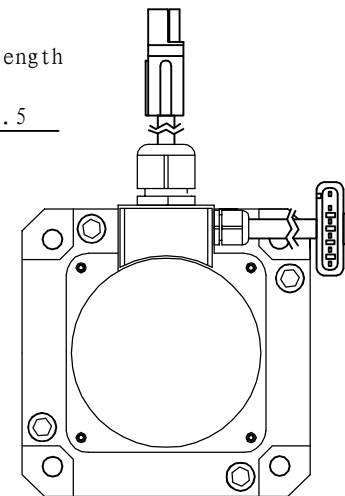
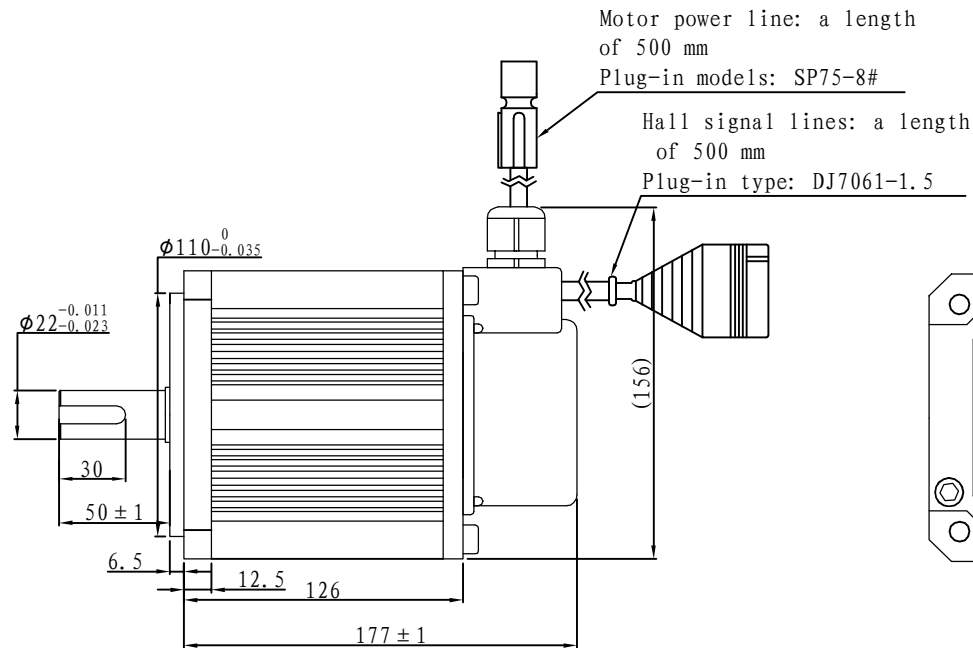
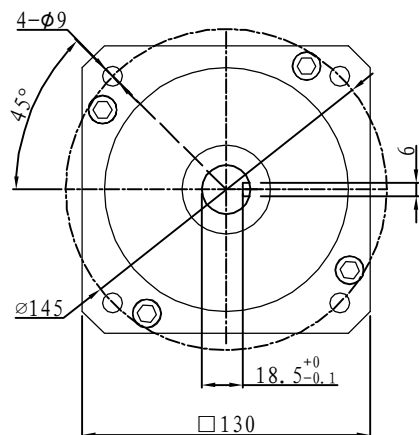
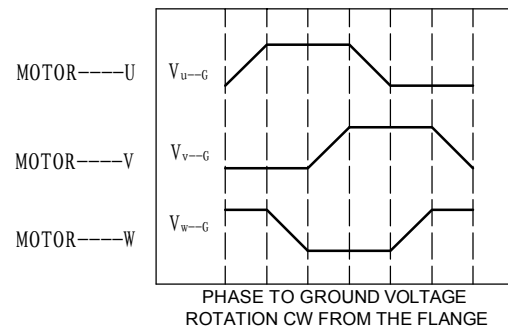
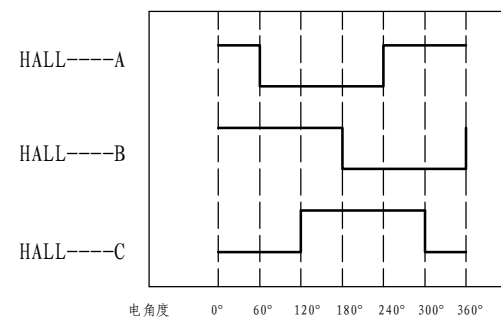


Demension

Brushless



Motor to Hall Relationship



Line Define

Power Wire

Red	Motor U
Yellow	Motor V
Blue	Motor W

Feedback Wire

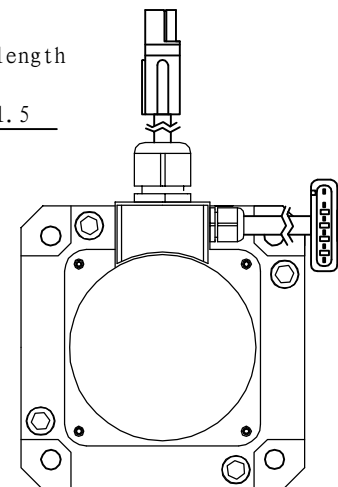
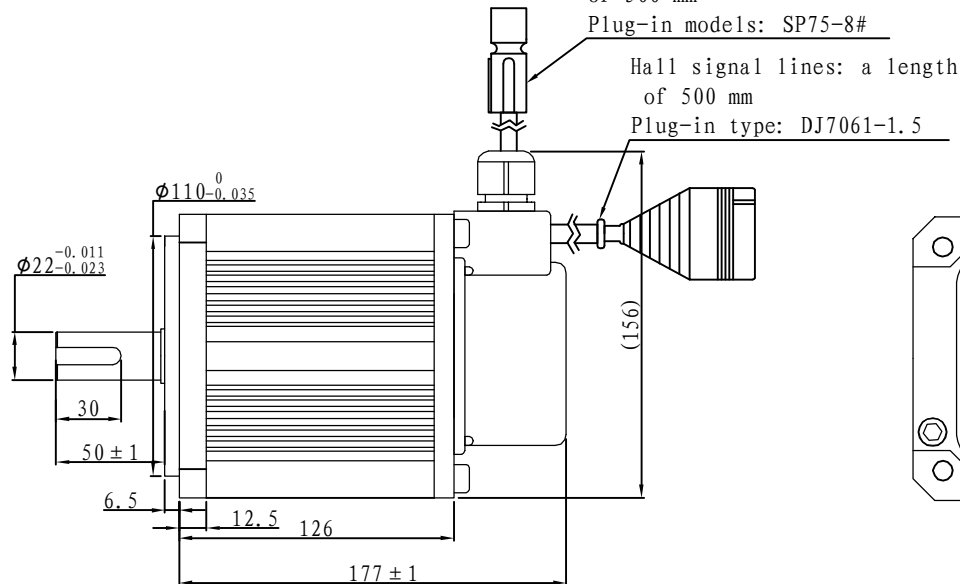
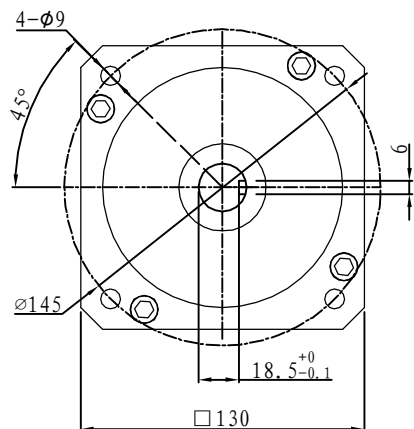
Hall line colour	Hall signal definition	Plug serial number
Orange and black	5V	1
Orange	0V	2
Yellow	Hall A	4
Blue	Hall B	5
Green	Hall C	6

Tecnichal Data

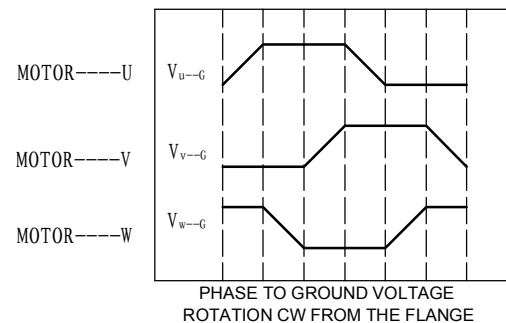
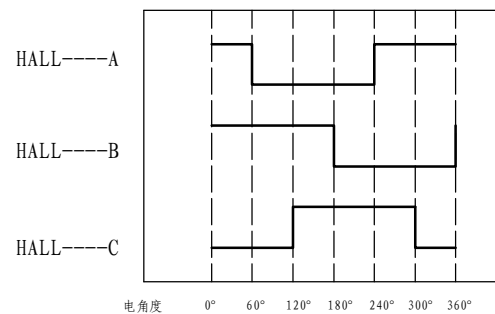
Type	130WD-M04010-24V
Power (KW)	0.4
Rated voltage (V)	24
Rated current (A)	20.5
Rated speed (rpm)	1000
Rated torque (NM)	4
Rotor inertia (Kgc ^m 2)	10.4
Protection rank	IP65
Insulation rank	F
Appropriate environment	Temperature: 0~50°C Humidity: <90% (No dewdrop)
Motor weight (KG)	6.7

Demension

Brushless



Motor to Hall Relationship



Line Define

Power Wire	
Red	Motor U
Yellow	Motor V
Blue	Motor W

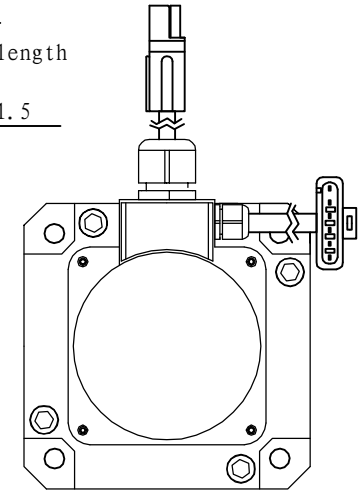
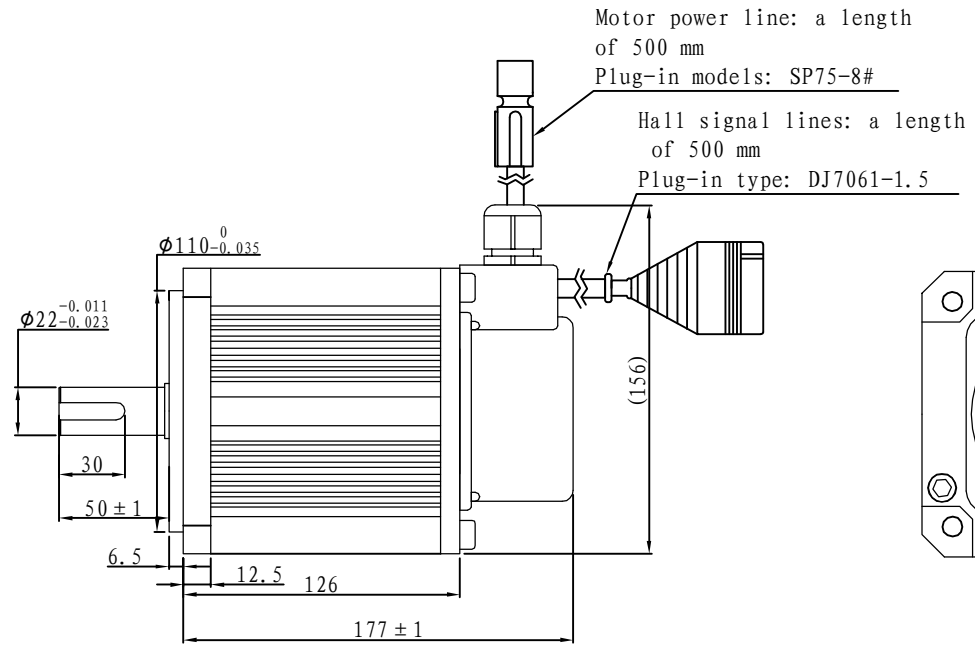
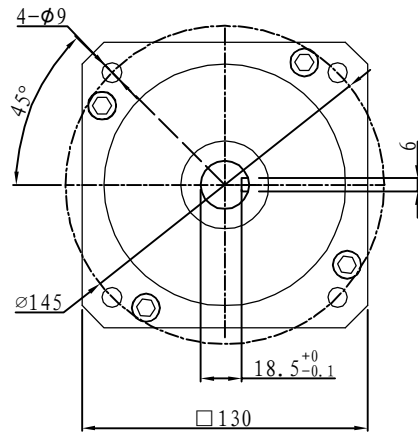
Feedback Wire		
Hall line colour	Hall signal definition	Plug serial number
Orange and black	5V	1
Orange	0V	2
Yellow	Hall A	4
Blue	Hall B	5
Green	Hall C	6

Tecnichal Data

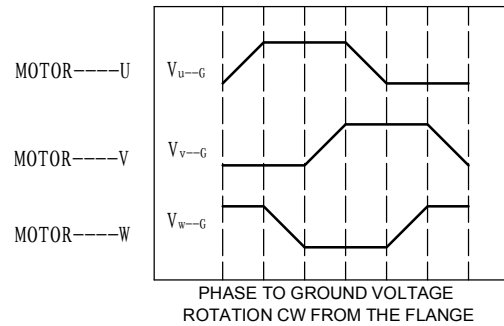
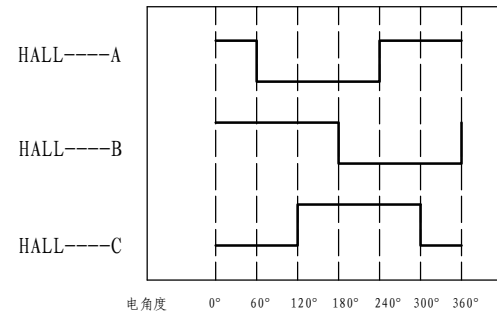
Type	130WD-M04010-48V
Power (KW)	0.4
Rated voltage (V)	48
Rated current (A)	10.3
Rated speed (rpm)	1000
Rated torque (NM)	4
Rotor inertia (Kgcm ²)	10.4
Protection rank	IP65
Insulation rank	F
Appropriate environment	Temperature: 0 ~ 50°C Humidity: <90% (No dewdrop)
Motor weight (KG)	6.7

Demension

Brushless



Motor to Hall Relationship



Line Define

Power Wire

Red	Motor U
Yellow	Motor V
Blue	Motor W

Feedback Wire

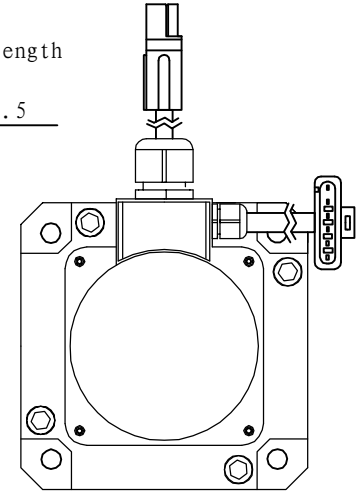
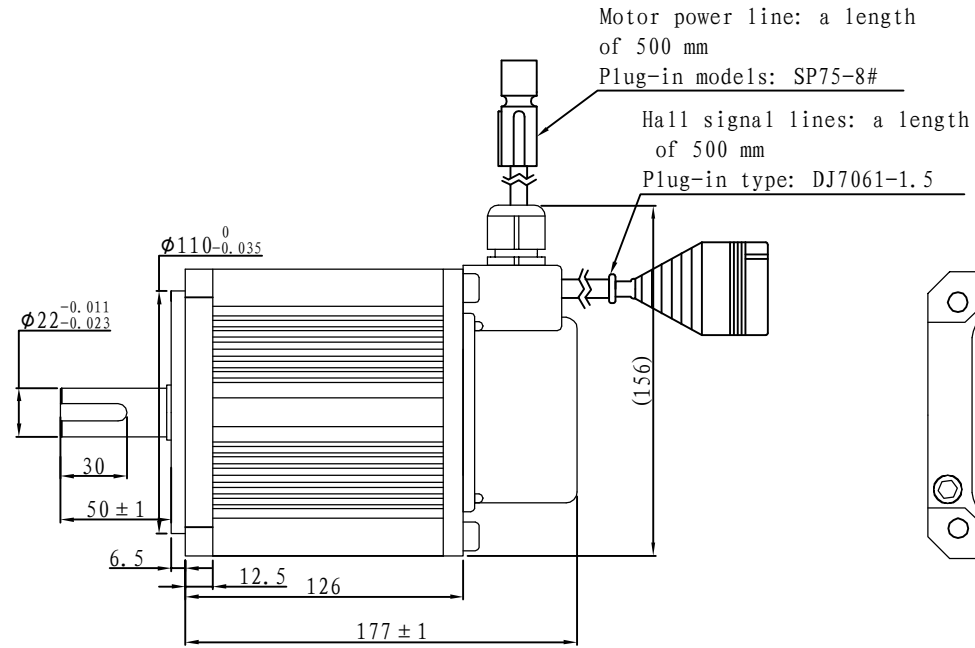
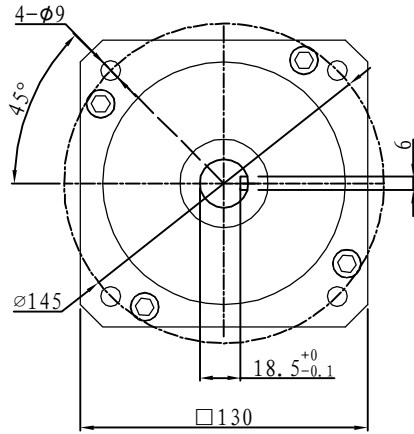
Hall line colour	Hall signal definition	Plug serial number
Orange and black	5V	1
Orange	0V	2
Yellow	Hall A	4
Blue	Hall B	5
Green	Hall C	6

Tecnichal Data

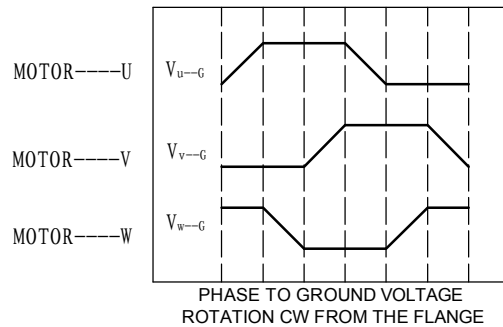
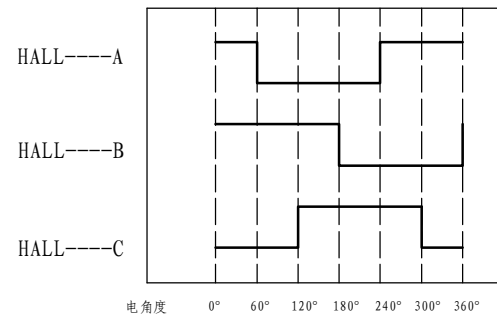
Type	130WD-M04010-72V
Power (KW)	0.4
Rated voltage (V)	72
Rated current (A)	6.8
Rated speed (rpm)	1000
Rated torque (NM)	4
Rotor inertia (Kgcm2)	10.4
Protection rank	IP65
Insulation rank	F
Appropriate environment	Temperature: 0~50℃ Humidity: <90% (No dewdrop)
Motor weight (KG)	6.7

Demension

Brushless



Motor to Hall Relationship



Line Define

Power Wire

Red	Motor U
Yellow	Motor V
Blue	Motor W

Feedback Wire

Hall line colour	Hall signal definition	Plug serial number
Orange and black	5V	1
Orange	0V	2
Yellow	Hall A	4
Blue	Hall B	5
Green	Hall C	6

Technical Data

Type	130WD-M04010-96V
Power (KW)	0.4
Rated voltage (V)	96
Rated current (A)	5.1
Rated speed (rpm)	1000
Rated torque (NM)	4
Rotor inertia (Kgcm ²)	10.4
Protection rank	IP65
Insulation rank	F
Appropriate environment	Temperature: 0~50℃ Humidity: <90% (No dewdrop)
Motor weight (KG)	6.7