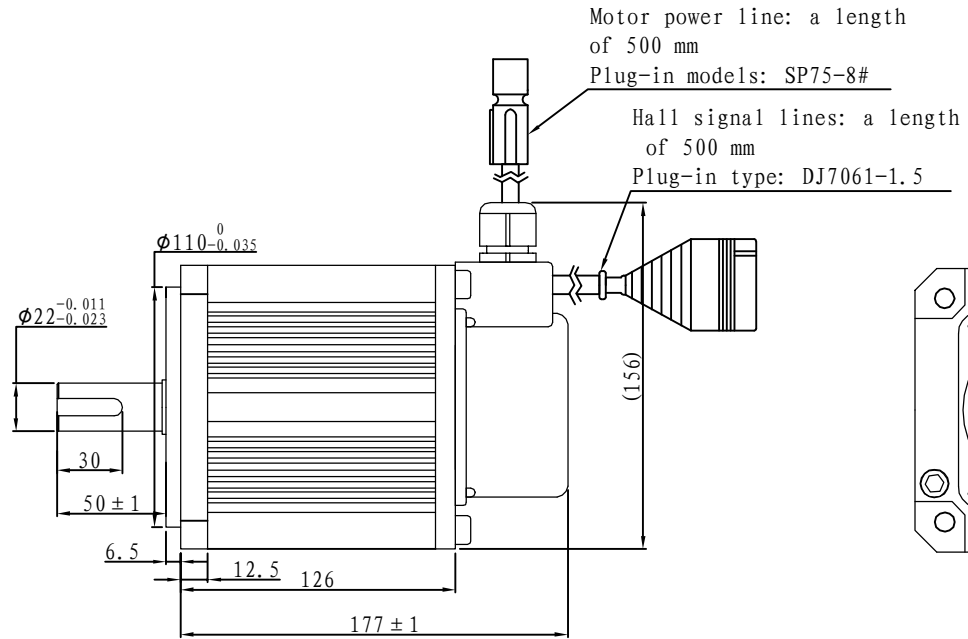
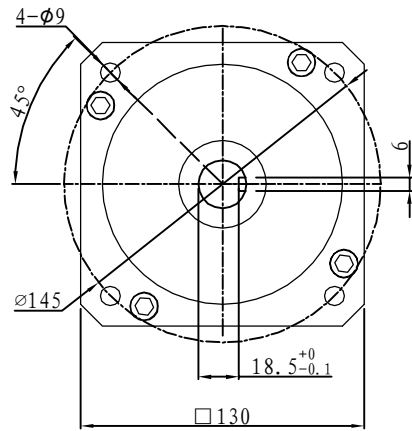
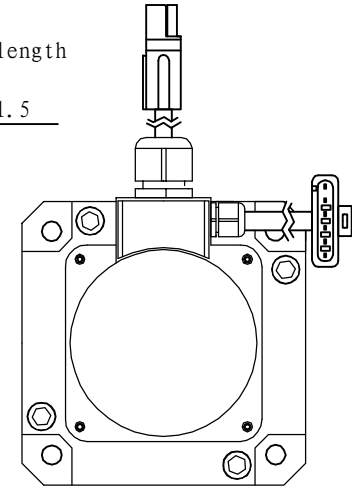


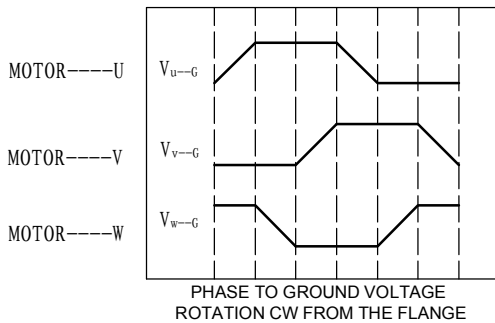
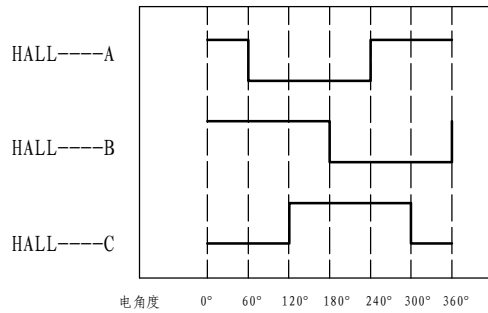
Demension



Brushless



Motor to Hall Relationship



Line Define

Power Wire

Red	Motor U
Yellow	Motor V
Blue	Motor W

Feedback Wire

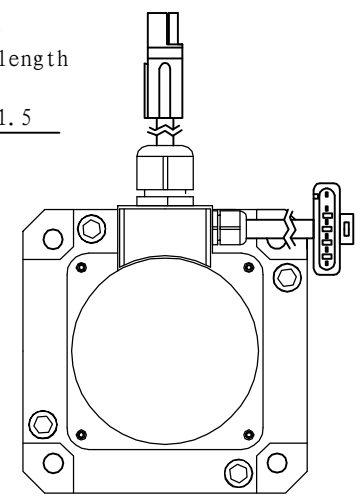
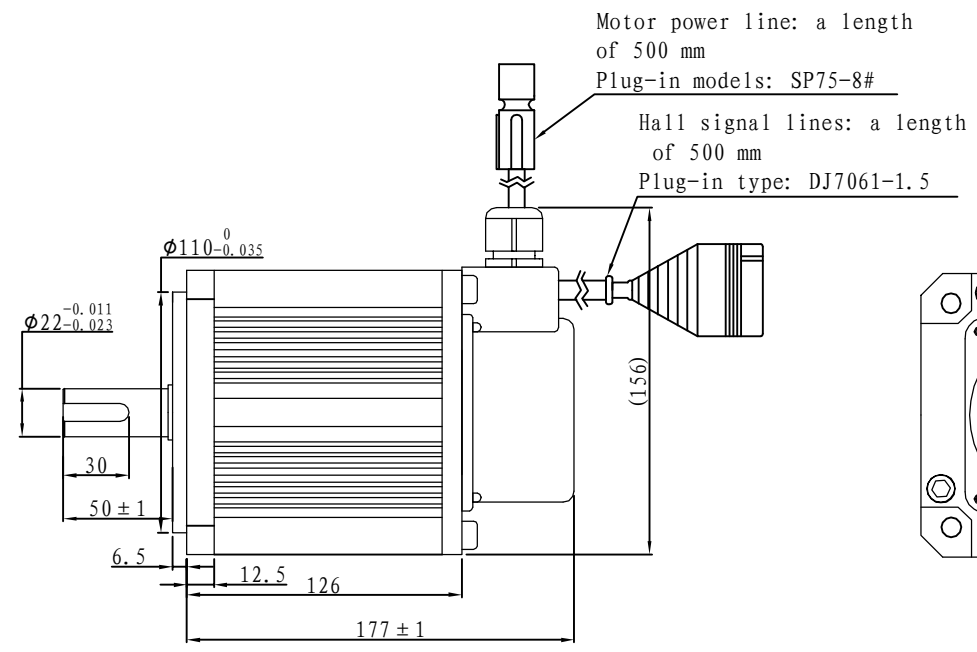
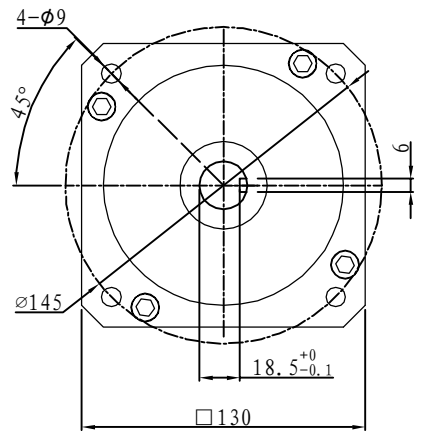
Hall line colour	Hall signal definition	Plug serial number
Orange and black	5V	1
Orange	0V	2
Yellow	Hall A	4
Blue	Hall B	5
Green	Hall C	6

Tecnichal Data

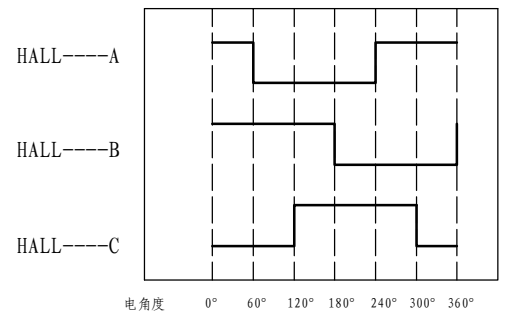
Type	130WD-M04020-24V
Power (KW)	0.8
Rated voltage (V)	24
Rated current (A)	41.1
Rated speed (rpm)	2000
Rated torque (NM)	4
Rotor inertia (Kgcm ²)	10.4
Protection rank	IP65
Insulation rank	F
Appropriate environment	Temperature: 0~50℃ Humidity: <90% (No dewdrop)
Motor weight (KG)	6.7

Demension

Brushless



Motor to Hall Relationship



PHASE TO GROUND VOLTAGE
ROTATION CW FROM THE FLANGE

Line Define

Power Wire

Red	Motor U
Yellow	Motor V
Blue	Motor W

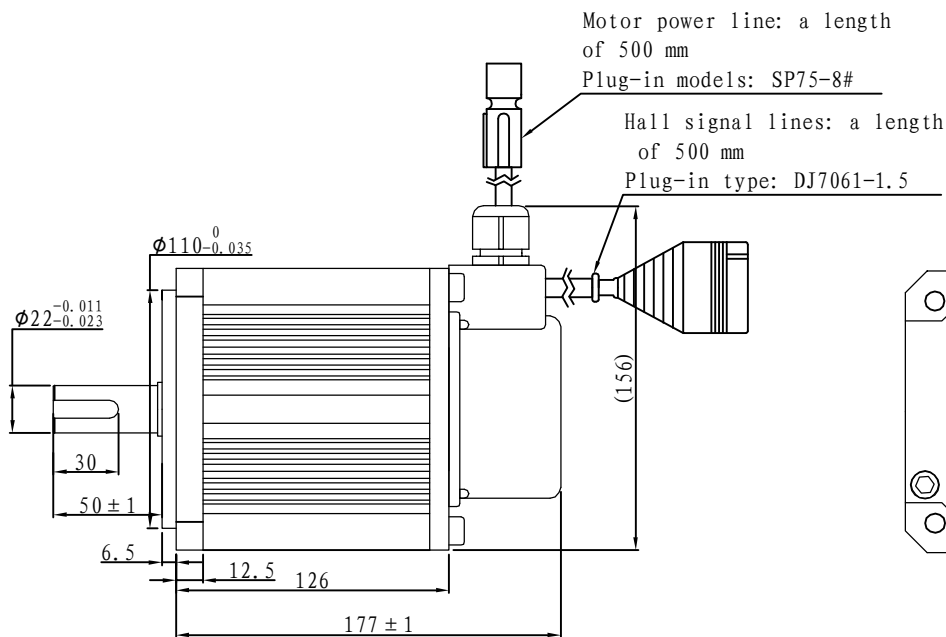
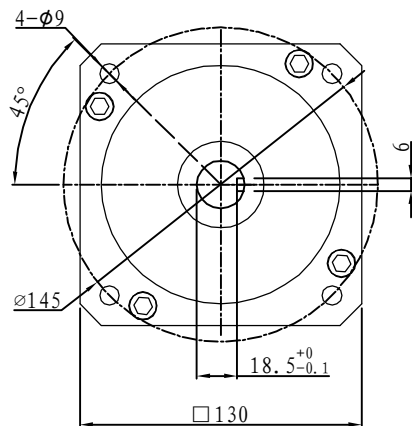
Feedback Wire

Hall line colour	Hall signal definition	Plug serial number
Orange and black	5V	1
Orange	0V	2
Yellow	Hall A	4
Blue	Hall B	5
Green	Hall C	6

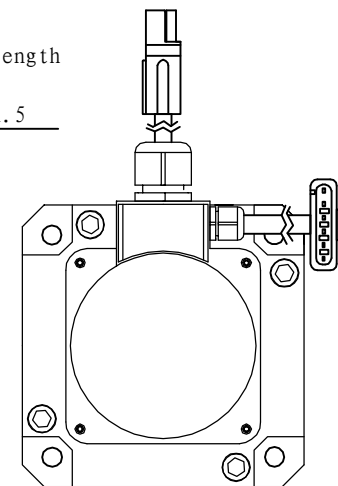
Tecnichal Data

Type	130WD-M04020-48V
Power (KW)	0.8
Rated voltage (V)	48
Rated current (A)	20.5
Rated speed (rpm)	2000
Rated torque (NM)	4
Rotor inertia (Kgcm2)	10.4
Protection rank	IP65
Insulation rank	F
Appropriate environment	Temperature: 0 ~ 50°C Humidity: <90% (No dewdrop)
Motor weight (KG)	6.7

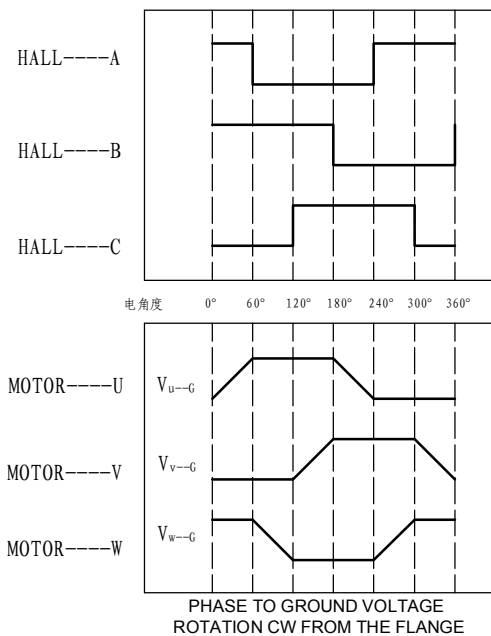
Demension



Brushless



Motor to Hall Relationship



Line Define

Power Wire

Red	Motor U
Yellow	Motor V
Blue	Motor W

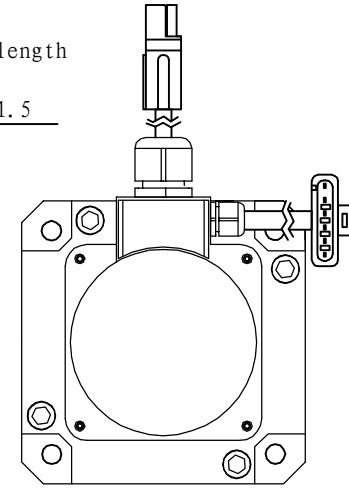
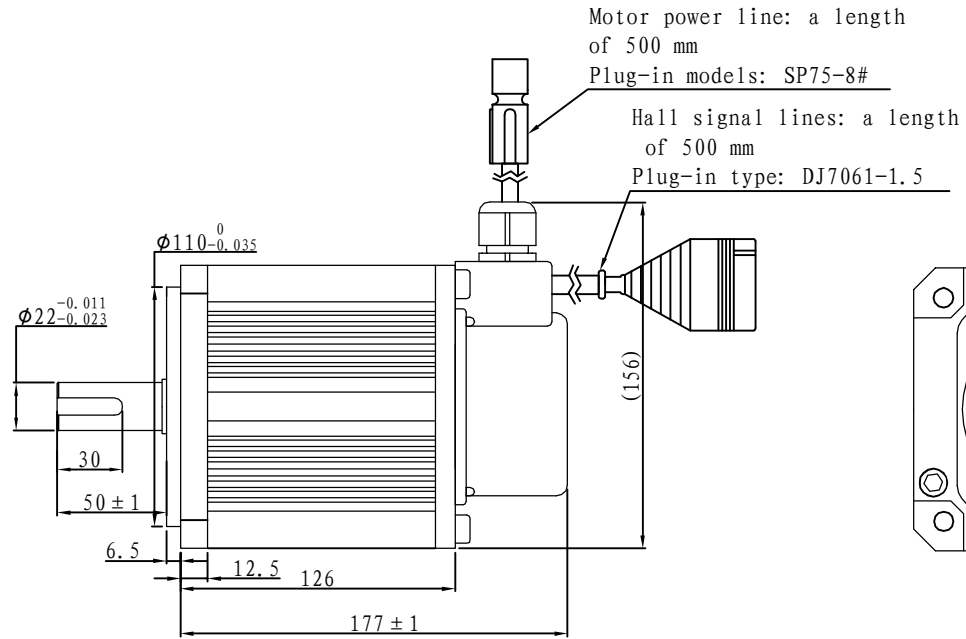
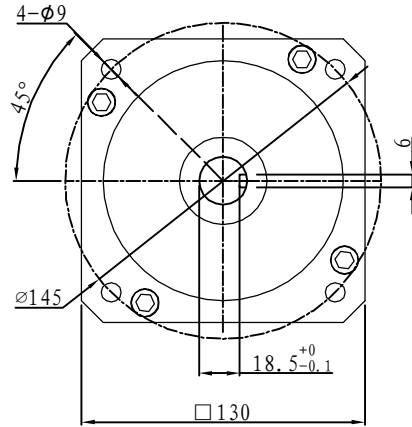
Feedback Wire

Hall line colour	Hall signal definition	Plug serial number
Orange and black	5V	1
Orange	0V	2
Yellow	Hall A	4
Blue	Hall B	5
Green	Hall C	6

Tecnichal Data

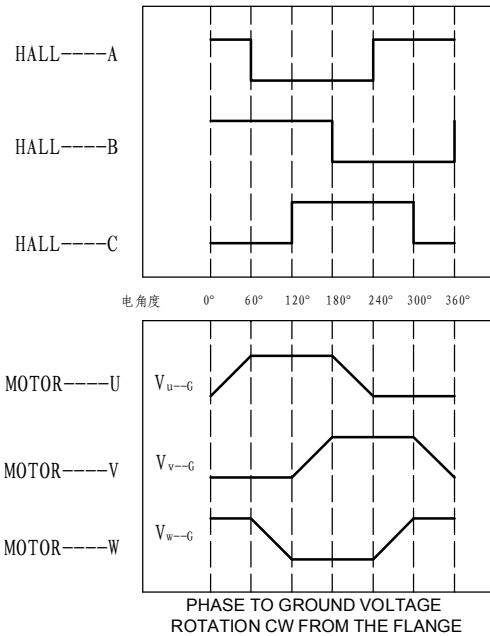
Type	130WD-M04020-72V
Power (KW)	0.8
Rated voltage (V)	72
Rated current (A)	13.7
Rated speed (rpm)	2000
Rated torque (NM)	4
Rotor inertia (Kgcm ²)	10.4
Protection rank	IP65
Insulation rank	F
Appropriate environment	Temperature: 0 ~ 50°C Humidity: < 90% (No dewdrop)
Motor weight (KG)	6.7

Demension



Brushless

Motor to Hall Relationship



Line Define

Power Wire

Red	Motor U
Yellow	Motor V
Blue	Motor W

Feedback Wire

Hall line colour	Hall signal definition	Plug serial number
Orange and black	5V	1
Orange	0V	2
Yellow	Hall A	4
Blue	Hall B	5
Green	Hall C	6

Tecnichal Data

Type	130WD-M04020-96V
Power (KW)	0.8
Rated voltage (V)	96
Rated current (A)	10.3
Rated speed (rpm)	2000
Rated torque (NM)	4
Rotor inertia (Kgc ^{m2})	10.4
Protection rank	IP65
Insulation rank	F
Appropriate environment	Temperature: 0 ~ 50°C Humidity: <90% (No dewdrop)
Motor weight (KG)	6.7