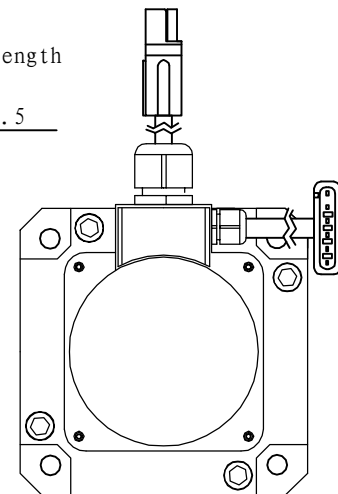
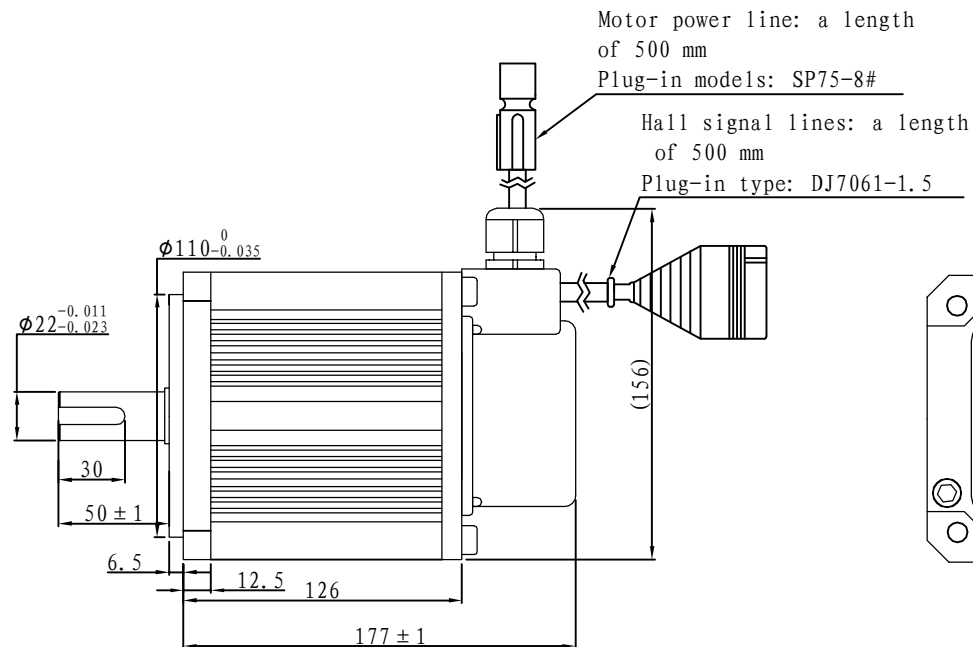
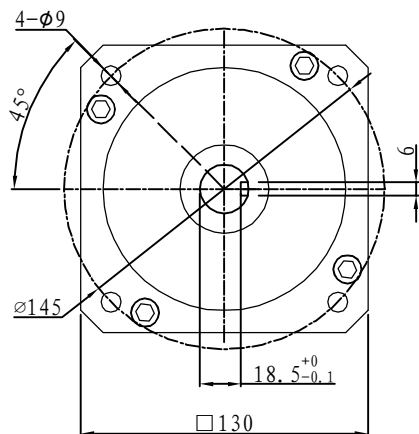
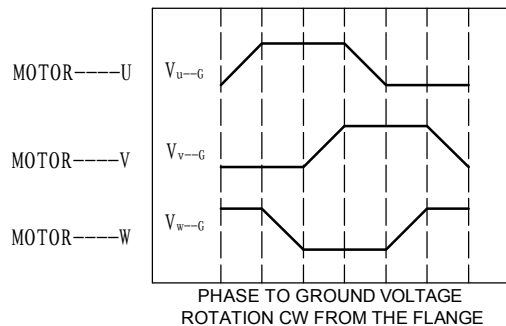
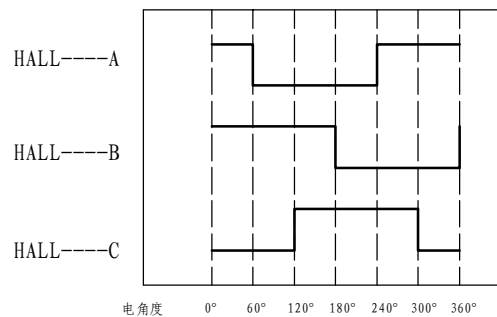


Demension



Brushless

Motor to Hall Relationship



Line Define

Power Wire

| | |
|--------|---------|
| Red | Motor U |
| Yellow | Motor V |
| Blue | Motor W |

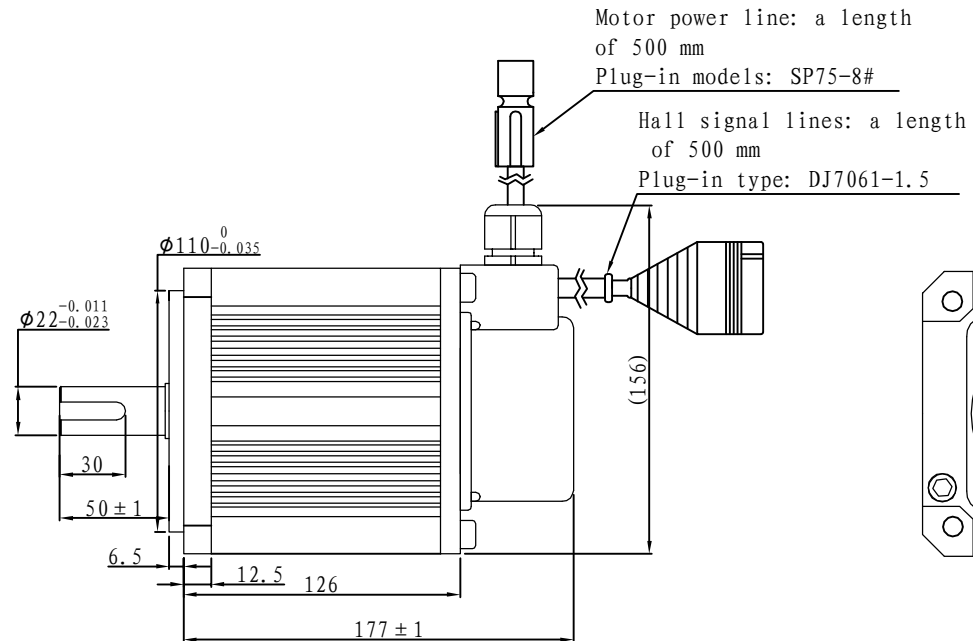
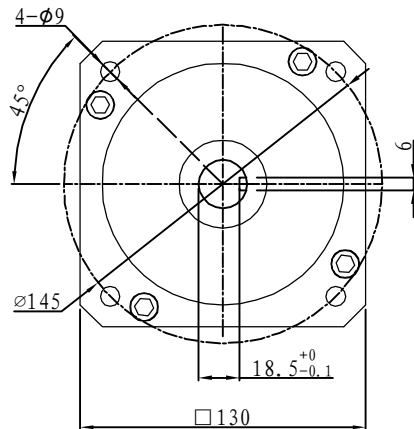
Feedback Wire

| Hall line colour | Hall signal definition | Plug serial number |
|------------------|------------------------|--------------------|
| Orange and black | 5V | 1 |
| Orange | 0V | 2 |
| Yellow | Hall A | 4 |
| Blue | Hall B | 5 |
| Green | Hall C | 6 |

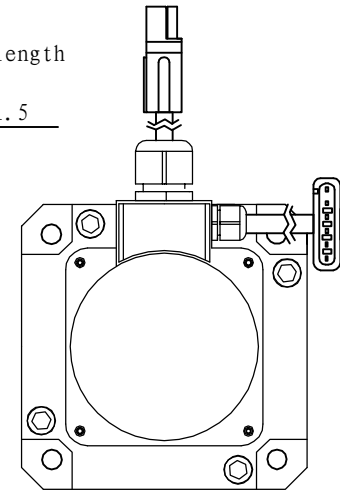
Tecnichal Data

| | |
|------------------------------------|--|
| Type | 130WD-M04030-24V |
| Power (KW) | 1.3 |
| Rated voltage (V) | 24 |
| Rated current (A) | 61.6 |
| Rated speed (rpm) | 3000 |
| Rated torque (NM) | 4 |
| Rotor inertia (Kgcm ²) | 10.4 |
| Protection rank | IP65 |
| Insulation rank | F |
| Appropriate environment | Temperature: 0~50℃ Humidity: <90% (No dewdrop) |
| Motor weight (KG) | 6.7 |

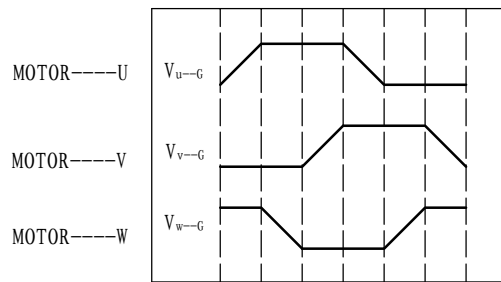
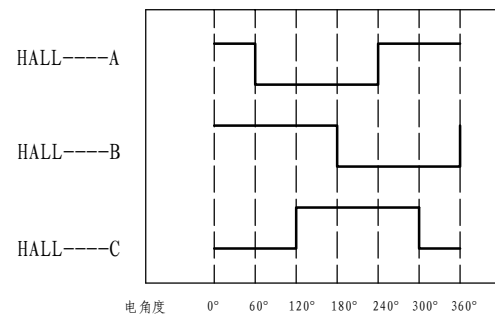
Demension



Brushless



Motor to Hall Relationship



PHASE TO GROUND VOLTAGE
ROTATION CW FROM THE FLANGE

Line Define

Power Wire

| | |
|--------|---------|
| Red | Motor U |
| Yellow | Motor V |
| Blue | Motor W |

Feedback Wire

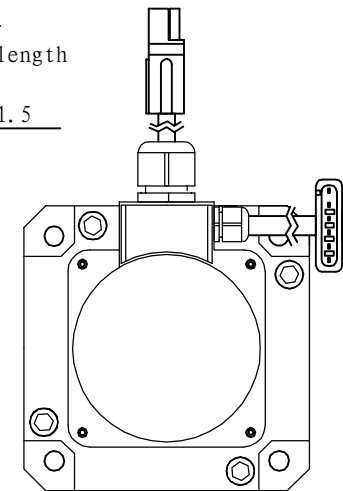
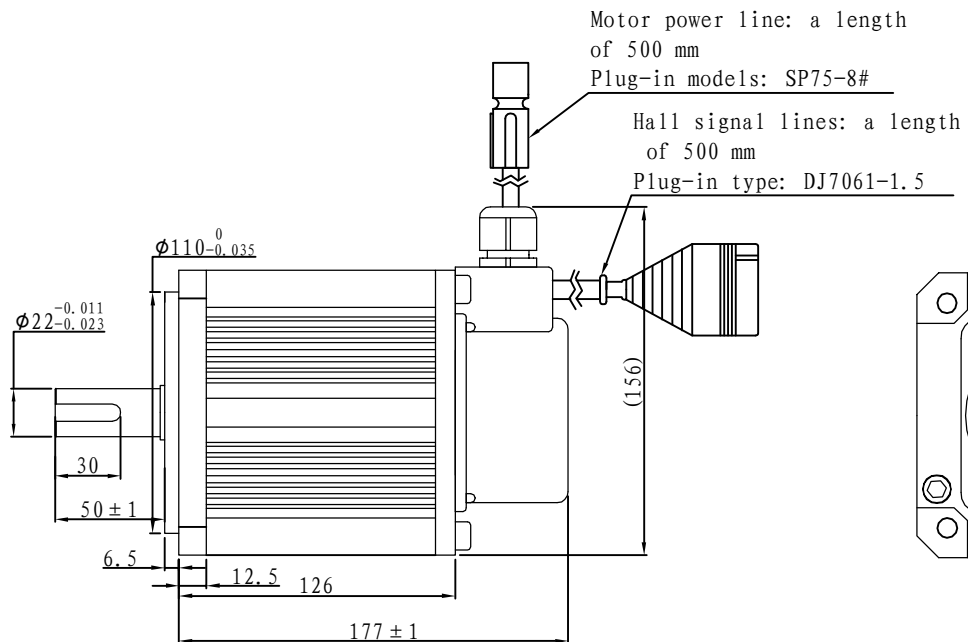
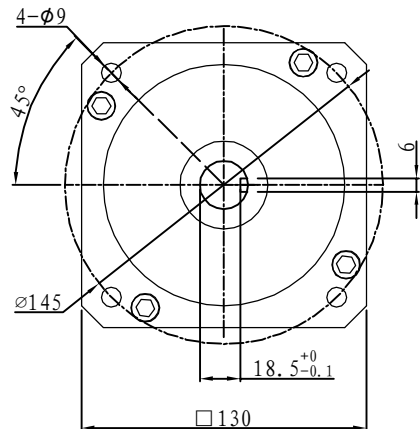
| Hall line colour | Hall signal definition | Plug serial number |
|------------------|------------------------|--------------------|
| Orange and black | 5V | 1 |
| Orange | 0V | 2 |
| Yellow | Hall A | 4 |
| Blue | Hall B | 5 |
| Green | Hall C | 6 |

Tecnichal Data

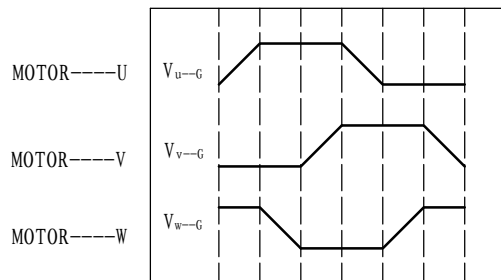
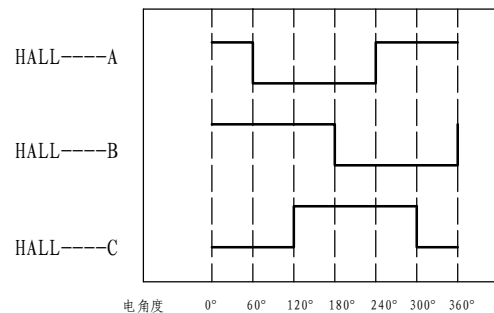
| | |
|------------------------------------|--|
| Type | 130WD-M04030-48V |
| Power (KW) | 1.3 |
| Rated voltage (V) | 48 |
| Rated current (A) | 30.8 |
| Rated speed (rpm) | 3000 |
| Rated torque (NM) | 4 |
| Rotor inertia (Kgc ^m 2) | 10.4 |
| Protection rank | IP65 |
| Insulation rank | F |
| Appropriate environment | Temperature: 0~50℃ Humidity: <90% (No dewdrop) |
| Motor weight (KG) | 6.7 |

Demension

Brushless



Motor to Hall Relationship



PHASE TO GROUND VOLTAGE
ROTATION CW FROM THE FLANGE

Line Define

Power Wire

| | |
|--------|---------|
| Red | Motor U |
| Yellow | Motor V |
| Blue | Motor W |

Feedback Wire

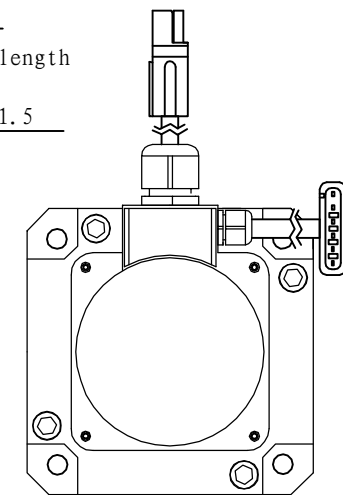
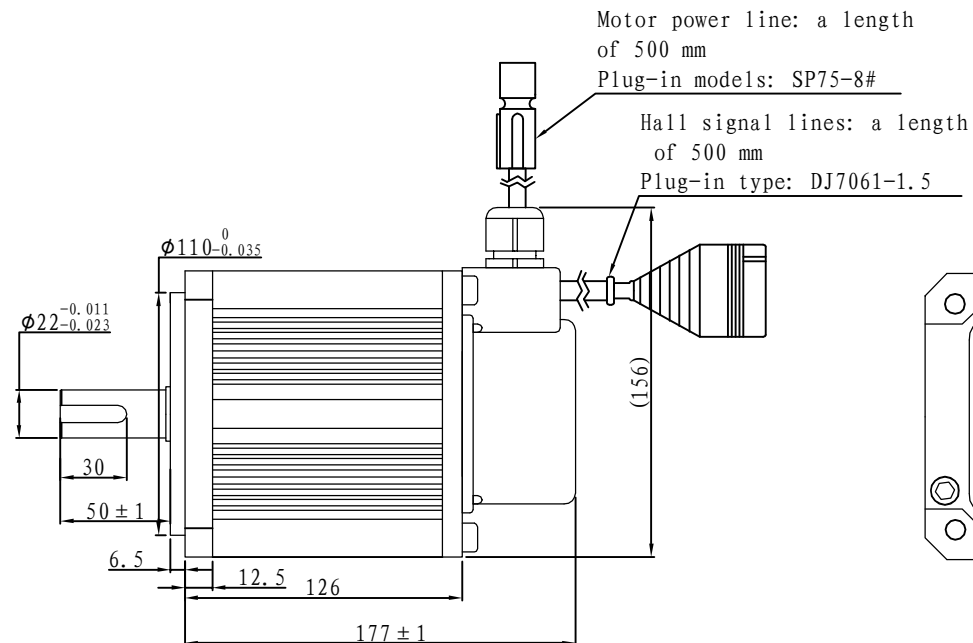
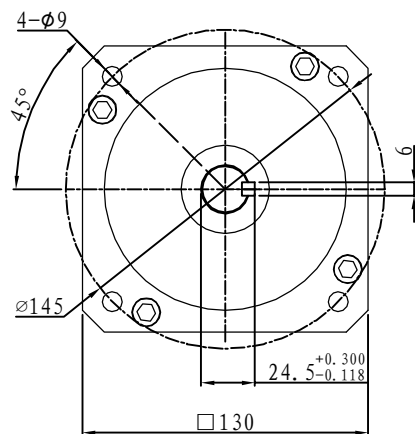
| Hall line colour | Hall signal definition | Plug serial number |
|------------------|------------------------|--------------------|
| Orange and black | 5V | 1 |
| Orange | 0V | 2 |
| Yellow | Hall A | 4 |
| Blue | Hall B | 5 |
| Green | Hall C | 6 |

Tecnichal Data

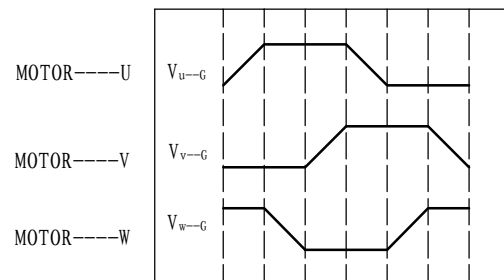
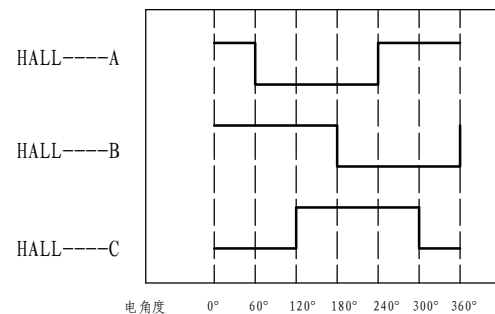
| | |
|------------------------------------|---|
| Type | 130WD-M04030-72V |
| Power (KW) | 1.3 |
| Rated voltage (V) | 72 |
| Rated current (A) | 20.5 |
| Rated speed (rpm) | 3000 |
| Rated torque (NM) | 4 |
| Rotor inertia (Kgc ^m 2) | 10.4 |
| Protection rank | IP65 |
| Insulation rank | F |
| Appropriate environment | Temperature: 0~50°C Humidity: <90% (No dewdrop) |
| Motor weight (KG) | 6.7 |

Demension

Brushless



Motor to Hall Relationship



PHASE TO GROUND VOLTAGE
ROTATION CW FROM THE FLANGE

Line Define

Power Wire

| | |
|--------|---------|
| Red | Motor U |
| Yellow | Motor V |
| Blue | Motor W |

Feedback Wire

| Hall line colour | Hall signal definition | Plug serial number |
|------------------|------------------------|--------------------|
| Orange and black | 5V | 1 |
| Orange | 0V | 2 |
| Yellow | Hall A | 4 |
| Blue | Hall B | 5 |
| Green | Hall C | 6 |

Tecnichal Data

| | |
|------------------------------------|--|
| Type | 130WD-M04030-96V |
| Power (KW) | 1.3 |
| Rated voltage (V) | 96 |
| Rated current (A) | 15.4 |
| Rated speed (rpm) | 3000 |
| Rated torque (NM) | 4 |
| Rotor inertia (Kgcm ²) | 10.4 |
| Protection rank | IP65 |
| Insulation rank | F |
| Appropriate environment | Temperature: 0~50℃ Humidity: <90% (No dewdrop) |
| Motor weight (KG) | 6.7 |