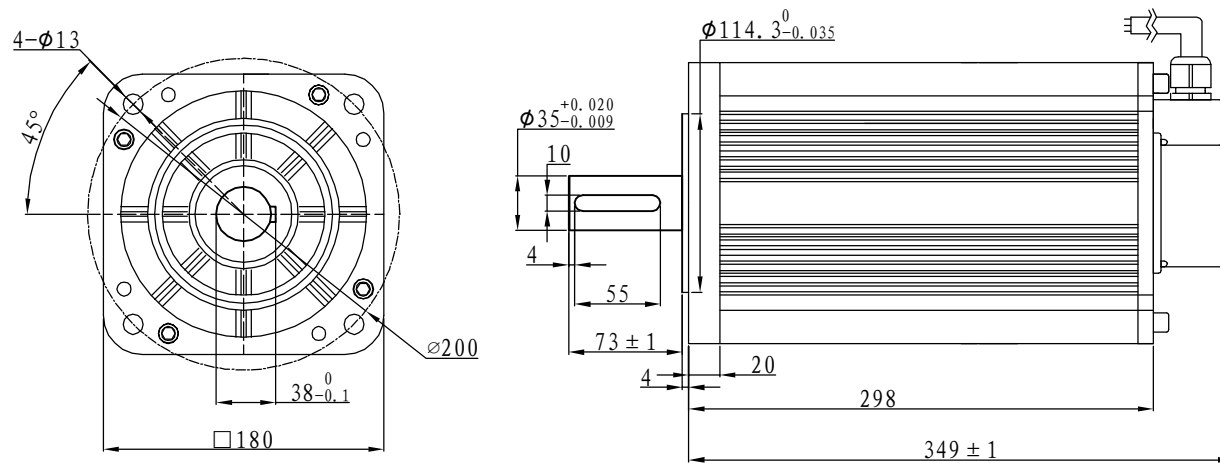


# Demension

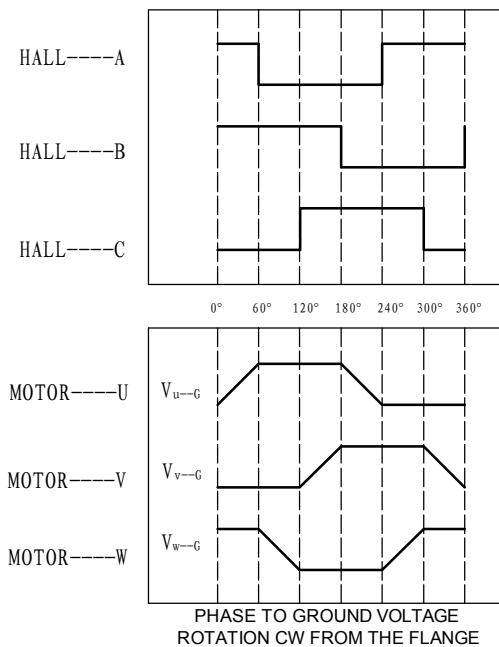
# Brushless



Motor power line: a length of 500 mm  
Plug-in models: 0T-150A

Hall signal lines: a length of 500 mm  
Plug-in type: DJ7061-1.5

## Motor to Hall Relationship



## Line Define

### Power Wire

Red	Motor U
Yellow	Motor V
Blue	Motor W

### Feedback Wire

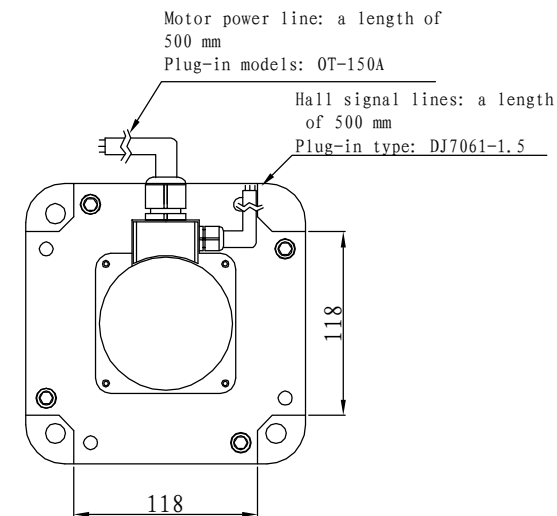
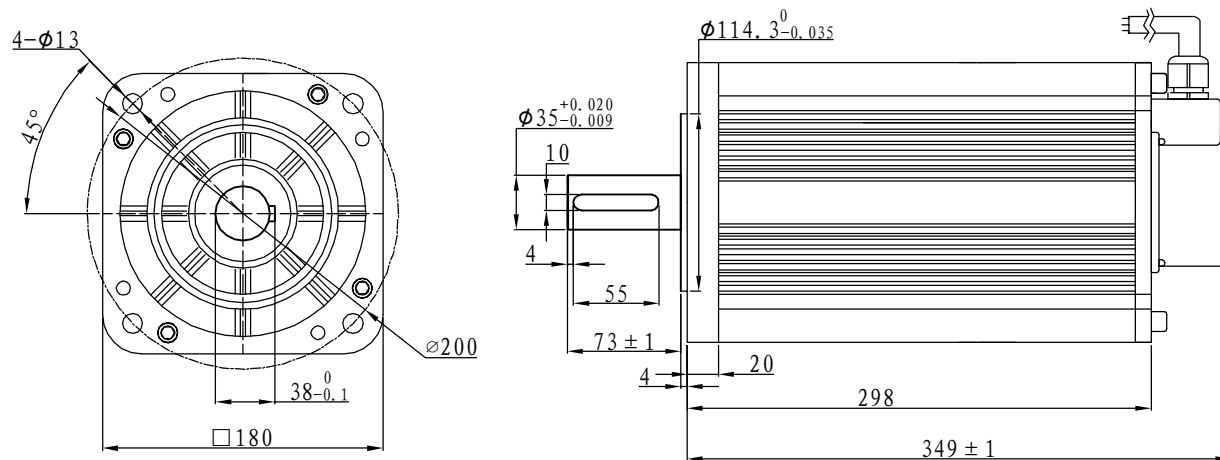
Hall line colour	Hall signal definition	Plug serial number
Orange and black	5V	1
Orange	0V	2
Yellow	Hall A	4
Blue	Hall B	5
Green	Hall C	6

## Tecnichal Data

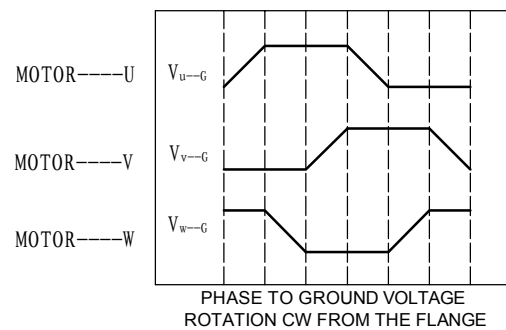
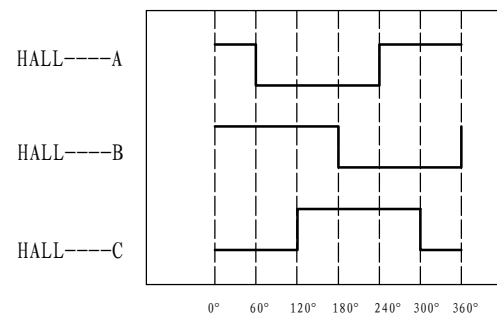
Type	180WD-M36030-72V
Power (KW)	11.3
Rated voltage (V)	72
Rated current (A)	185
Rated speed (rpm)	3000
Rated torque (NM)	36
Rotor inertia (Kgc <sup>m</sup> 2)	148
Protection rank	IP65
Insulation rank	F
Appropriate environment	Temperature: 0 ~ 50°C Humidity: < 90% (No dewdrop)
Motor weight (KG)	30

# Demension

# Brushless



## Motor to Hall Relationship



## Line Define

### Power Wire

Red	Motor U
Yellow	Motor V
Blue	Motor W

### Feedback Wire

Hall line colour	Hall signal definition	Plug serial number
Orange and black	5V	1
Orange	0V	2
Yellow	Hall A	4
Blue	Hall B	5
Green	Hall C	6

## Tecnichal Data

Type	180WD-M36030-96V
Power (KW)	11.3
Rated voltage (V)	96
Rated current (A)	139
Rated speed (rpm)	3000
Rated torque (NM)	36
Rotor inertia (Kgcm <sup>2</sup> )	148
Protection rank	IP65
Insulation rank	F
Appropriate environment	Temperature: 0 ~ 50°C Humidity: < 90% (No dewdrop)
Motor weight (KG)	30