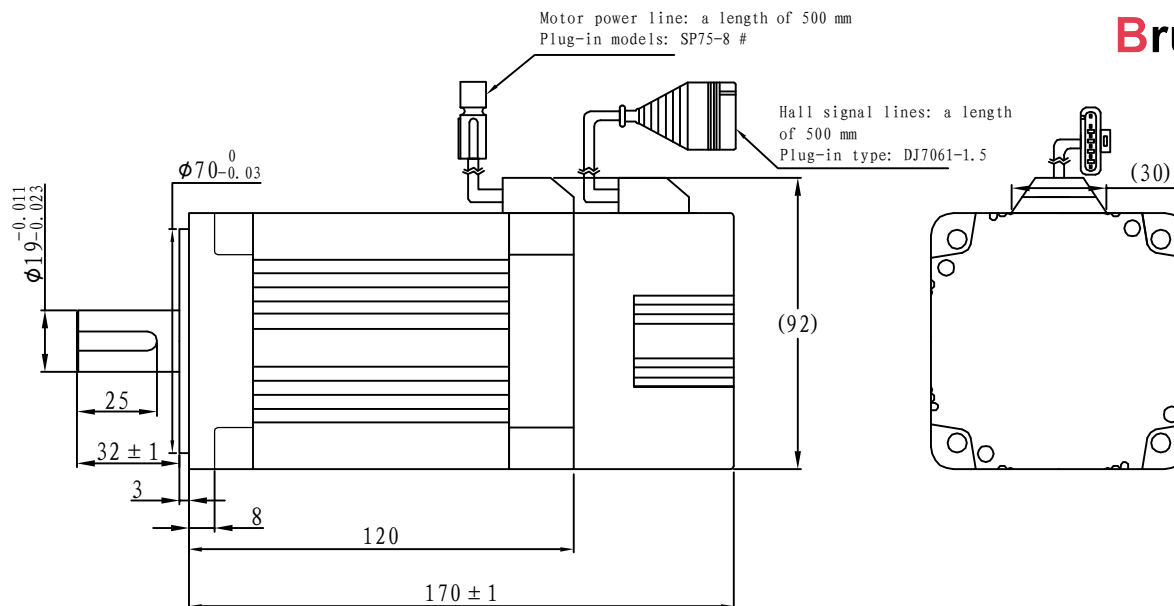
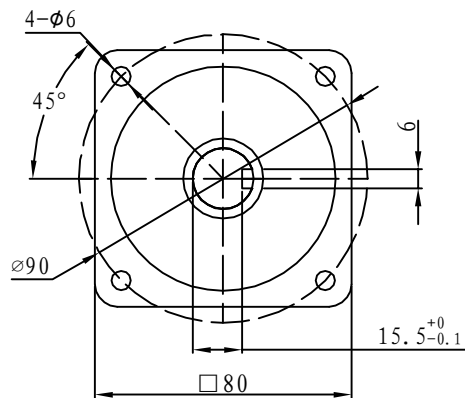
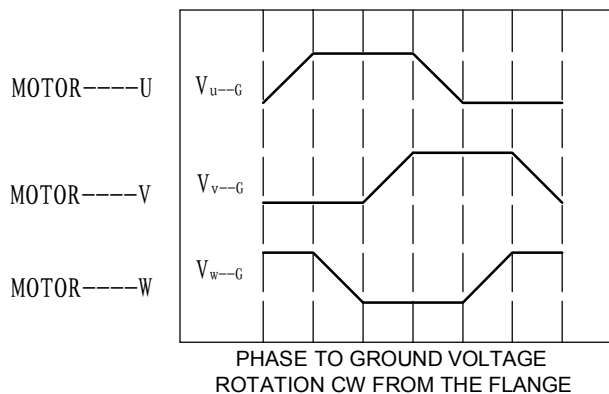
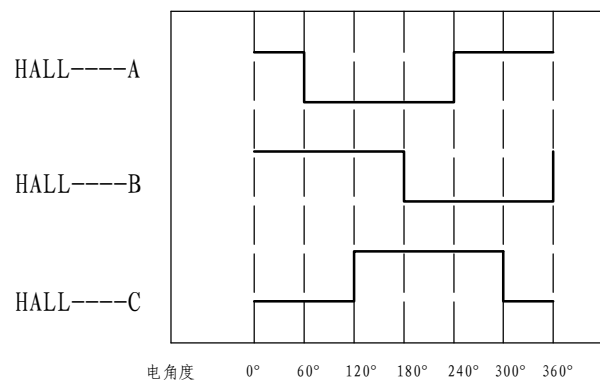


## Demension



## Motor to Hall Relationship



## Line Define

### Power Wire

Red	Motor U
Yellow	Motor V
Blue	Motor W

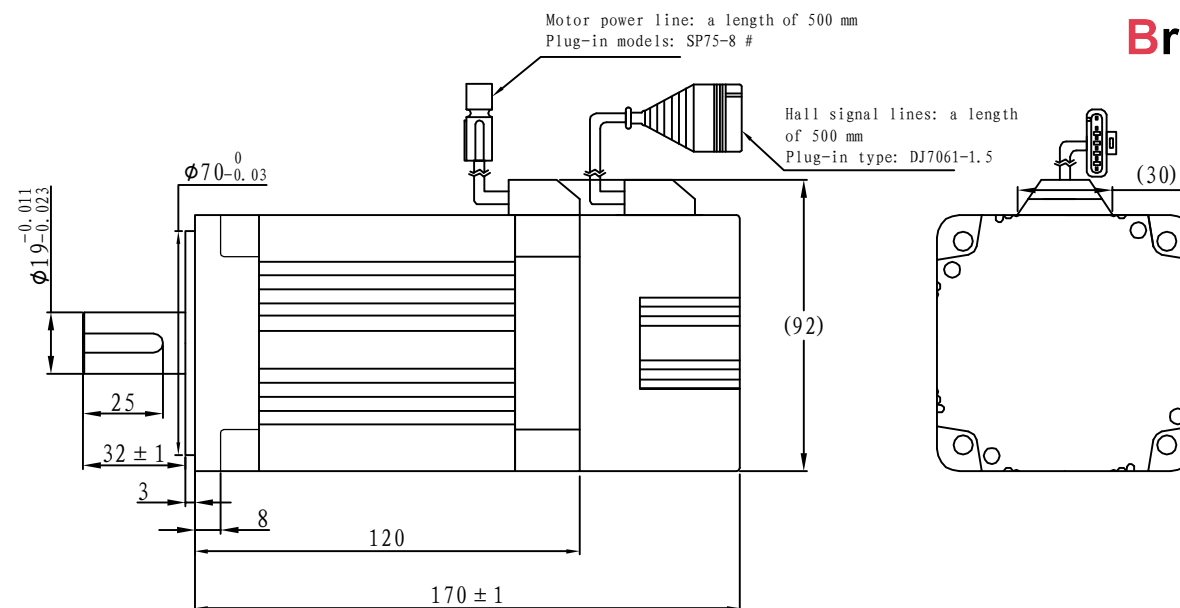
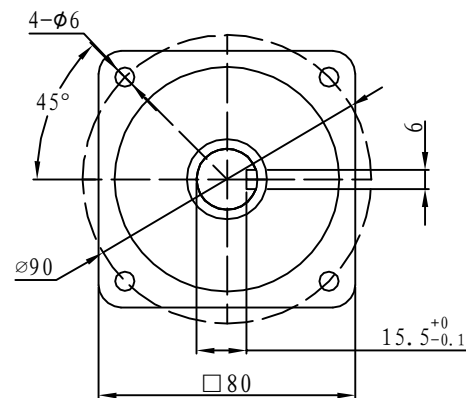
### Feedback Wire

Hall line colour	Hall signal definition	Plug serial number
Orange and black	5V	1
Orange	0V	2
Yellow	Hall A	3
Blue	Hall B	4
Green	Hall C	5

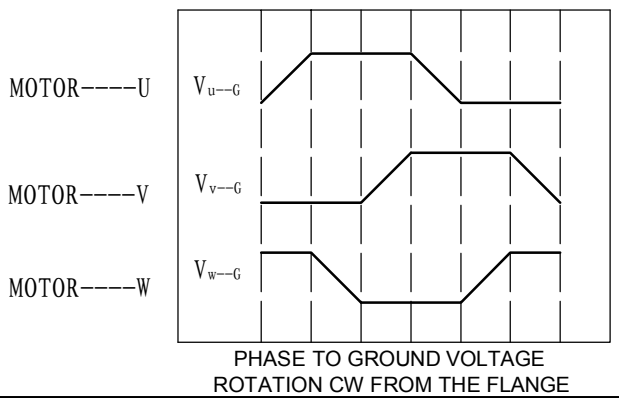
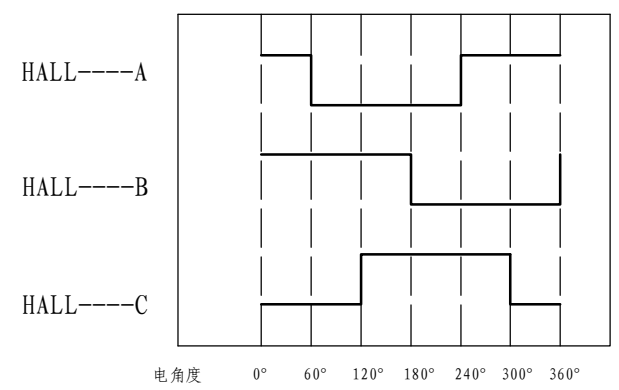
## Tecnichal Data

Type	80WD-M02420-24V
Power (KW)	0.50
Rated voltage (V)	24
Rated current (A)	26.18
Rated speed (rpm)	2000
Rated torque (NM)	2.4
Rotor inertia (Kgcm <sup>2</sup> )	0.8
Protection rank	IP54
Insulation rank	F
Appropriate environment	Temperature: 0 ~ 50°C Humidity: <90% (No dewdrop)
Motor weight (KG)	3

## Demension



## Motor to Hall Relationship



PHASE TO GROUND VOLTAGE  
ROTATION CW FROM THE FLANGE

## Line Define

### Power Wire

Red	Motor U
Yellow	Motor V
Blue	Motor W

### Feedback Wire

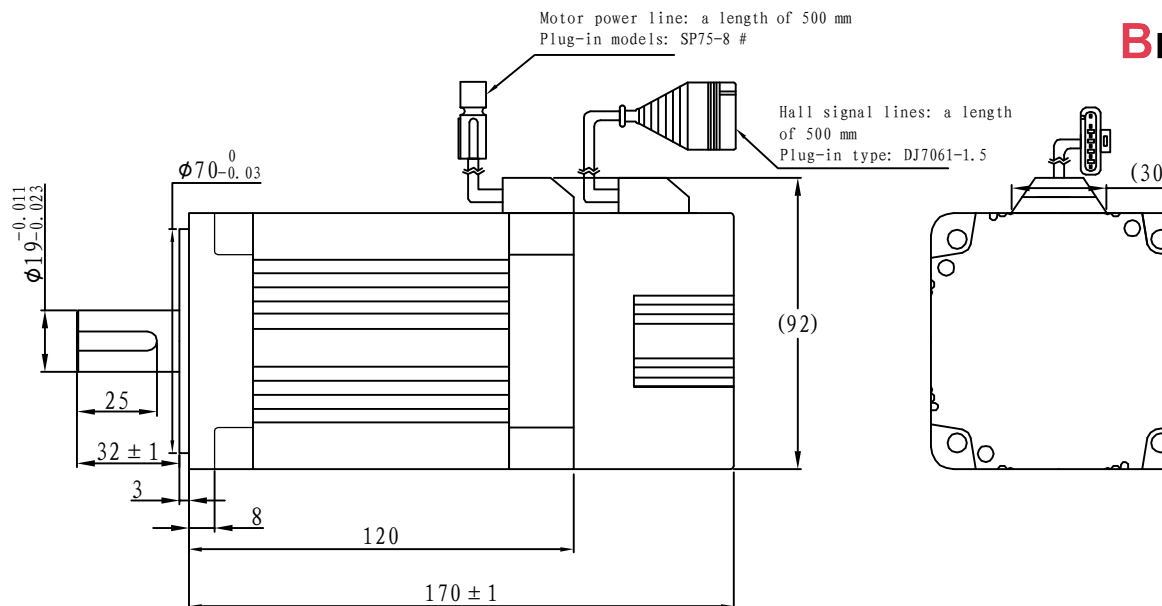
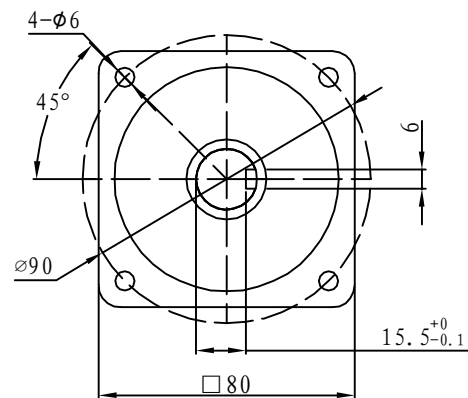
Hall line colour	Hall signal definition	Plug serial number
Orange and black	5V	1
Orange	0V	2
Yellow	Hall A	3
Blue	Hall B	4
Green	Hall C	5

## Tecnichal Data

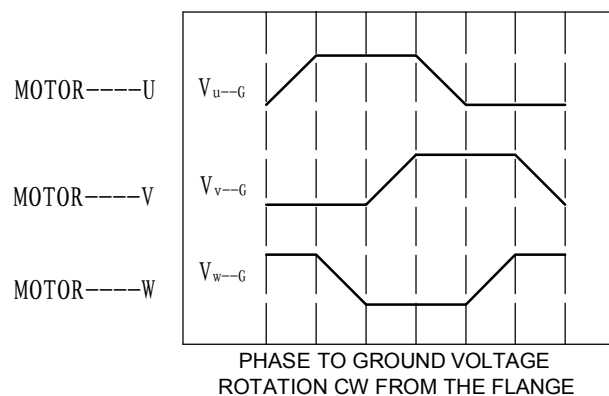
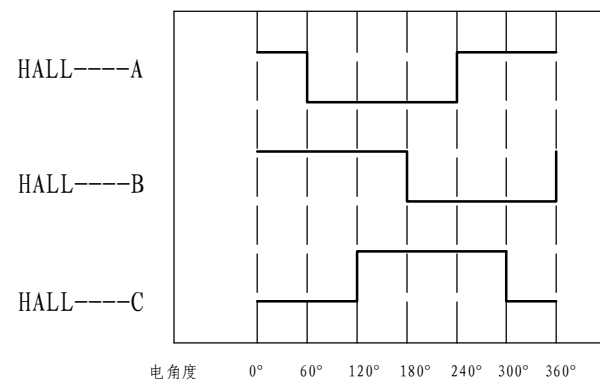
Type	80WD-M02420-48V
Power (KW)	0.50
Rated voltage (V)	48
Rated current (A)	13.09
Rated speed (rpm)	2000
Rated torque (NM)	2.4
Rotor inertia (Kgc <sup>m2</sup> )	0.8
Protection rank	IP54
Insulation rank	F
Appropriate environment	Temperature: 0 ~ 50°C Humidity: <90% (No dewdrop)
Motor weight (KG)	3

# Brushless

## Demension



## Motor to Hall Relationship



## Line Define

### Power Wire

Red	Motor U
Yellow	Motor V
Blue	Motor W

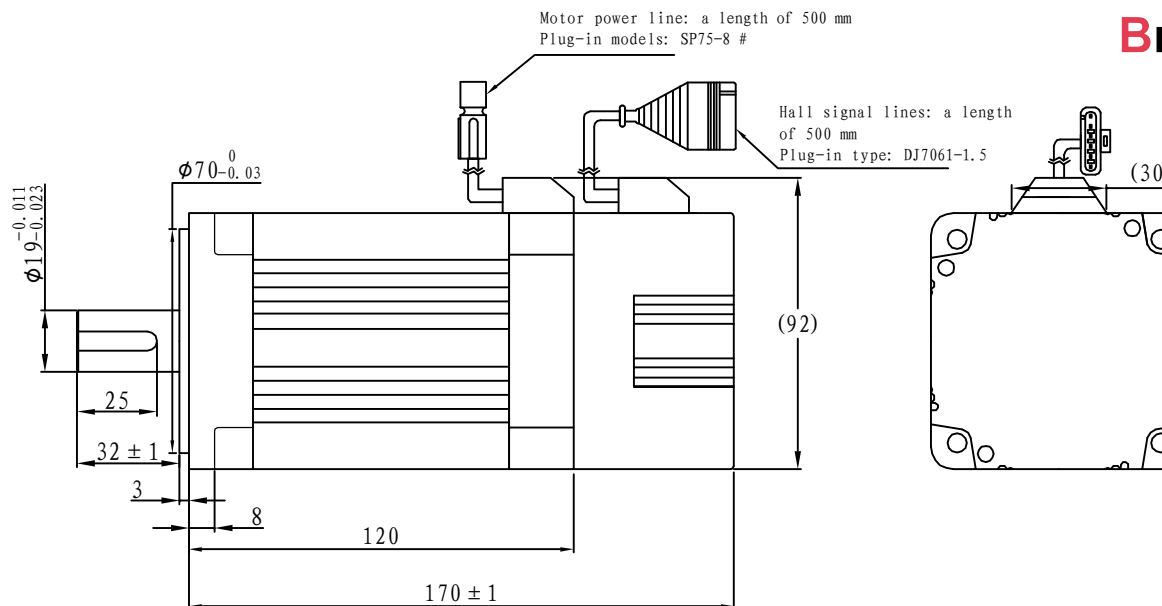
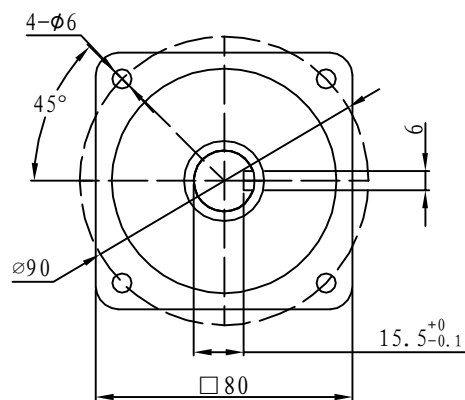
### Feedback Wire

Hall line colour	Hall signal definition	Plug serial number
Orange and black	5V	1
Orange	0V	2
Yellow	Hall A	3
Blue	Hall B	4
Green	Hall C	5

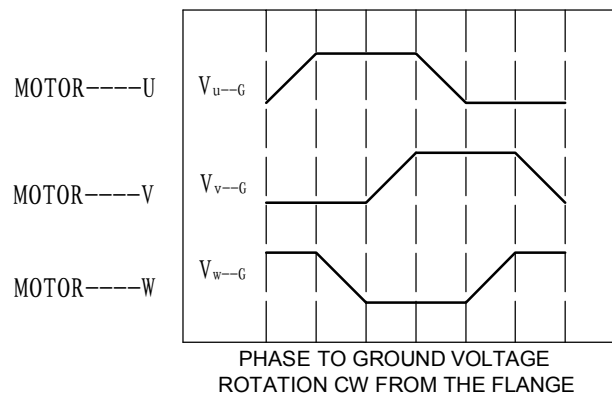
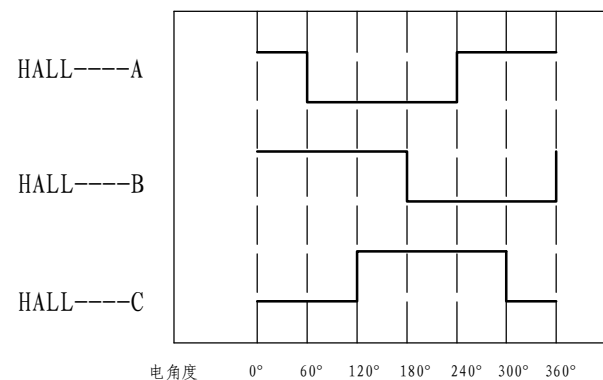
## Tecnichal Data

Type	80WD-M02420-72V
Power (KW)	0.25
Rated voltage (V)	72
Rated current (A)	8.73
Rated speed (rpm)	2000
Rated torque (NM)	2.4
Rotor inertia (Kgcm <sup>2</sup> )	0.8
Protection rank	IP54
Insulation rank	F
Appropriate environment	Temperature: 0 ~ 50°C Humidity: <90% (No dewdrop)
Motor weight (KG)	3

## Demension



## Motor to Hall Relationship



## Line Define

### Power Wire

Red	Motor U
Yellow	Motor V
Blue	Motor W

### Feedback Wire

Hall line colour	Hall signal definition	Plug serial number
Orange and black	5V	1
Orange	0V	2
Yellow	Hall A	3
Blue	Hall B	4
Green	Hall C	5

## Tecnichal Data

Type	80WD-M02420-96V
Power (KW)	0.50
Rated voltage (V)	96
Rated current (A)	6.54
Rated speed (rpm)	2000
Rated torque (NM)	2.4
Rotor inertia (Kgcm <sup>2</sup> )	0.8
Protection rank	IP54
Insulation rank	F
Appropriate environment	Temperature: 0 ~ 50°C Humidity: <90% (No dewdrop)
Motor weight (KG)	3