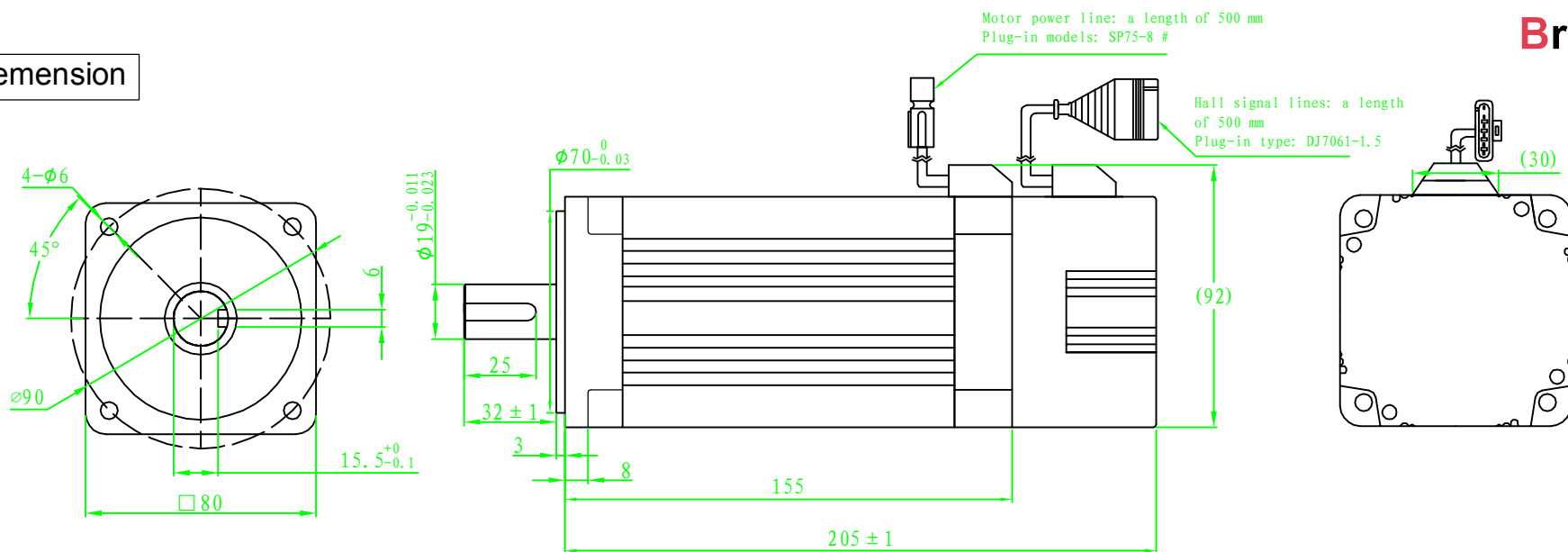
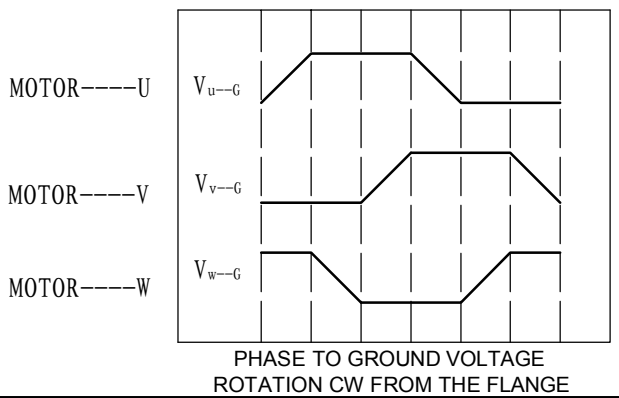
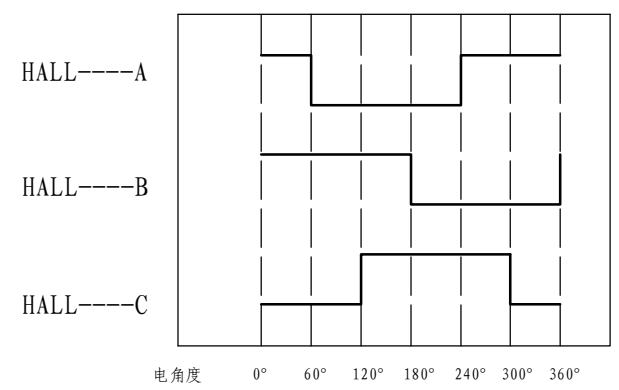


Brushless

Demension



Motor to Hall Relationship



Line Define

Power Wire

Red	Motor U
Yellow	Motor V
Blue	Motor W

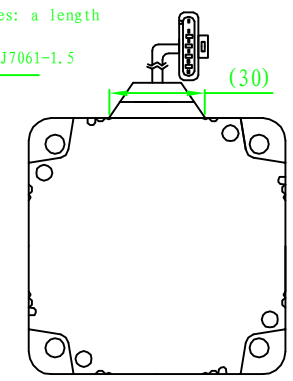
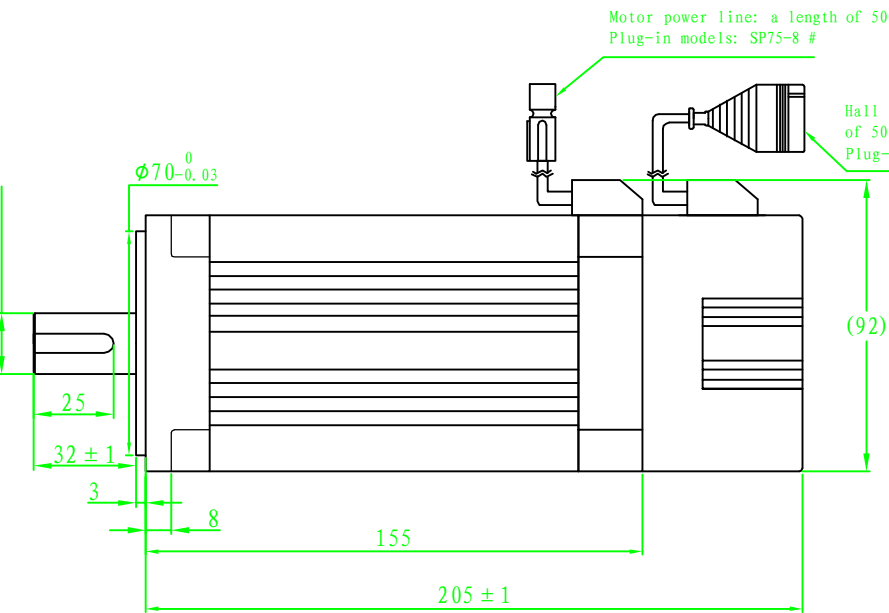
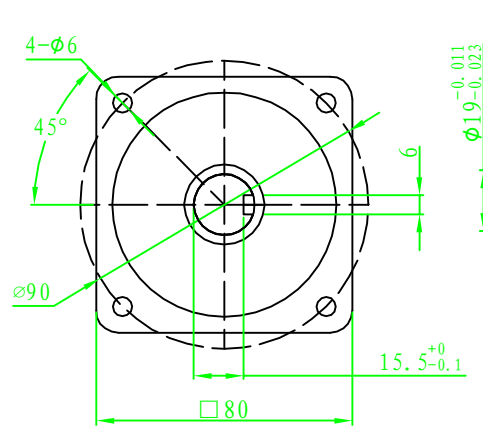
Feedback Wire

Hall line colour	Hall signal definition	Plug serial number
Orange and black	5V	1
Orange	0V	2
Yellow	Hall A	3
Blue	Hall B	4
Green	Hall C	5

Tecnichal Data

Type	80WD-M03330-24V
Power (KW)	1.04
Rated voltage (V)	24
Rated current (A)	53.99
Rated speed (rpm)	3000
Rated torque (NM)	3.3
Rotor inertia (Kgcm ²)	1.1
Protection rank	IP54
Insulation rank	F
Appropriate environment	Temperature: 0 ~ 50°C Humidity: <90% (No dewdrop)
Motor weight (KG)	3

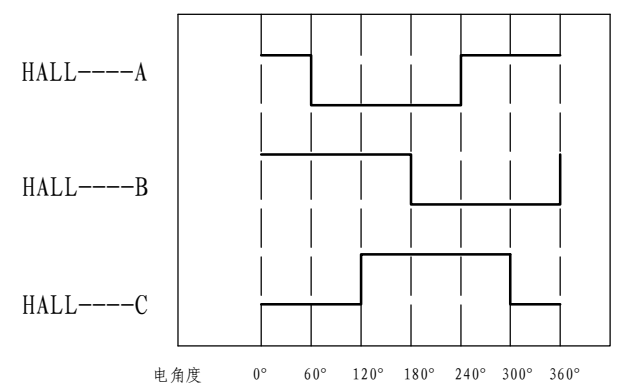
Demension



Motor power line: a length of 500 mm
Plug-in models: SP75-8 #

Hall signal lines: a length of 500 mm
Plug-in type: DJ7061-1.5

Motor to Hall Relationship



Line Define

Power Wire

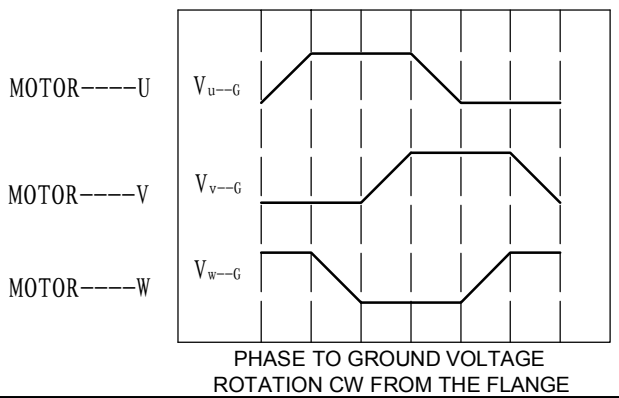
Red	Motor U
Yellow	Motor V
Blue	Motor W

Feedback Wire

Hall line colour	Hall signal definition	Plug serial number
Orange and black	5V	1
Orange	0V	2
Yellow	Hall A	3
Blue	Hall B	4
Green	Hall C	5

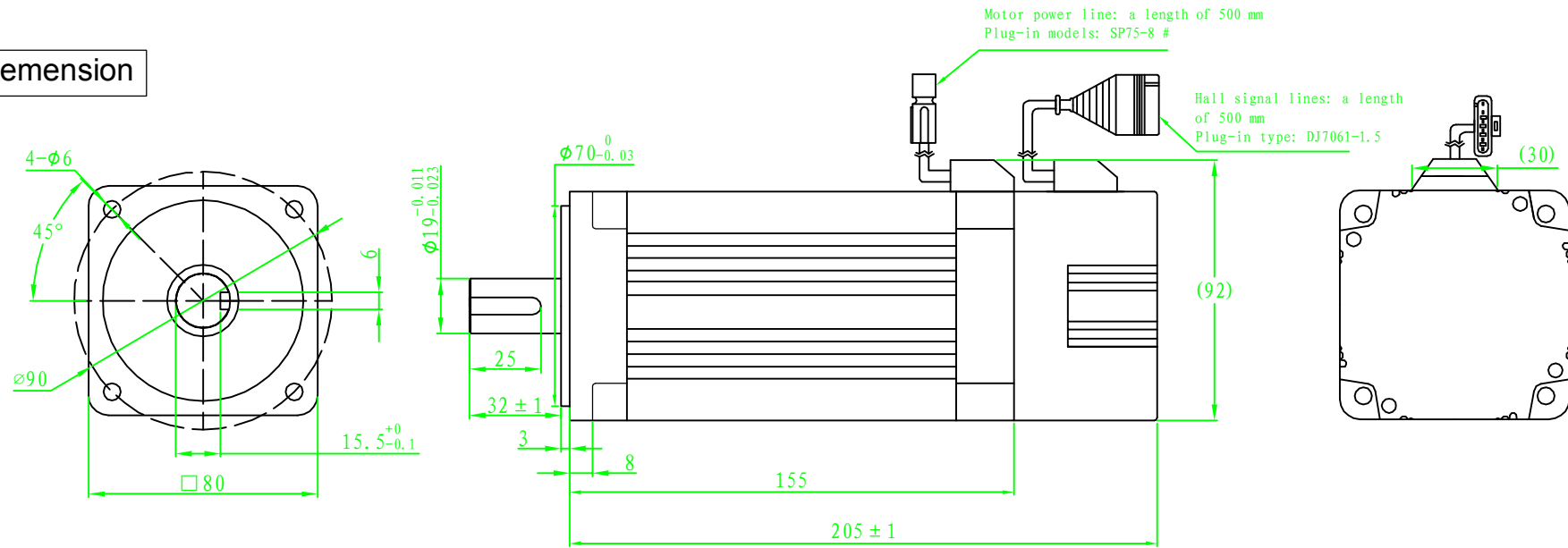
Tecnichal Data

Type	80WD-M03330-48V
Power (KW)	1.04
Rated voltage (V)	48
Rated current (A)	27.00
Rated speed (rpm)	3000
Rated torque (NM)	3.3
Rotor inertia (Kgcm ²)	1.1
Protection rank	IP54
Insulation rank	F
Appropriate environment	Temperature: 0 ~ 50°C Humidity: <90% (No dewdrop)
Motor weight (KG)	3

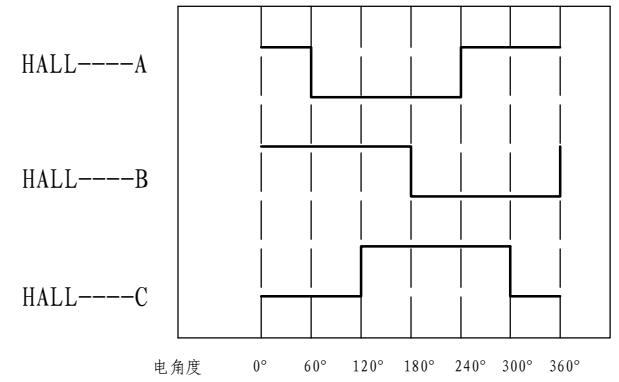


Brushless

Demension



Motor to Hall Relationship



Line Define

Power Wire

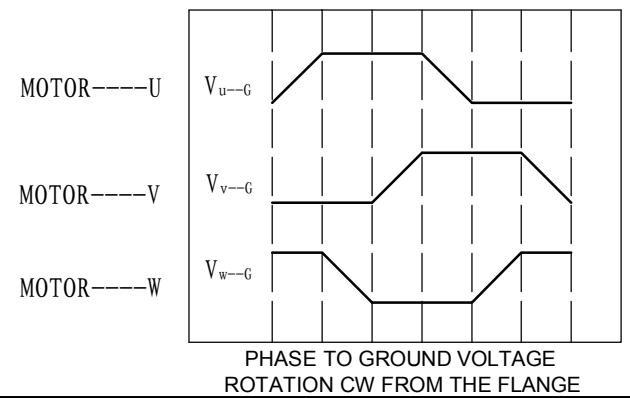
Red	Motor U
Yellow	Motor V
Blue	Motor W

Feedback Wire

Hall line colour	Hall signal definition	Plug serial number
Orange and black	5V	1
Orange	0V	2
Yellow	Hall A	3
Blue	Hall B	4
Green	Hall C	5

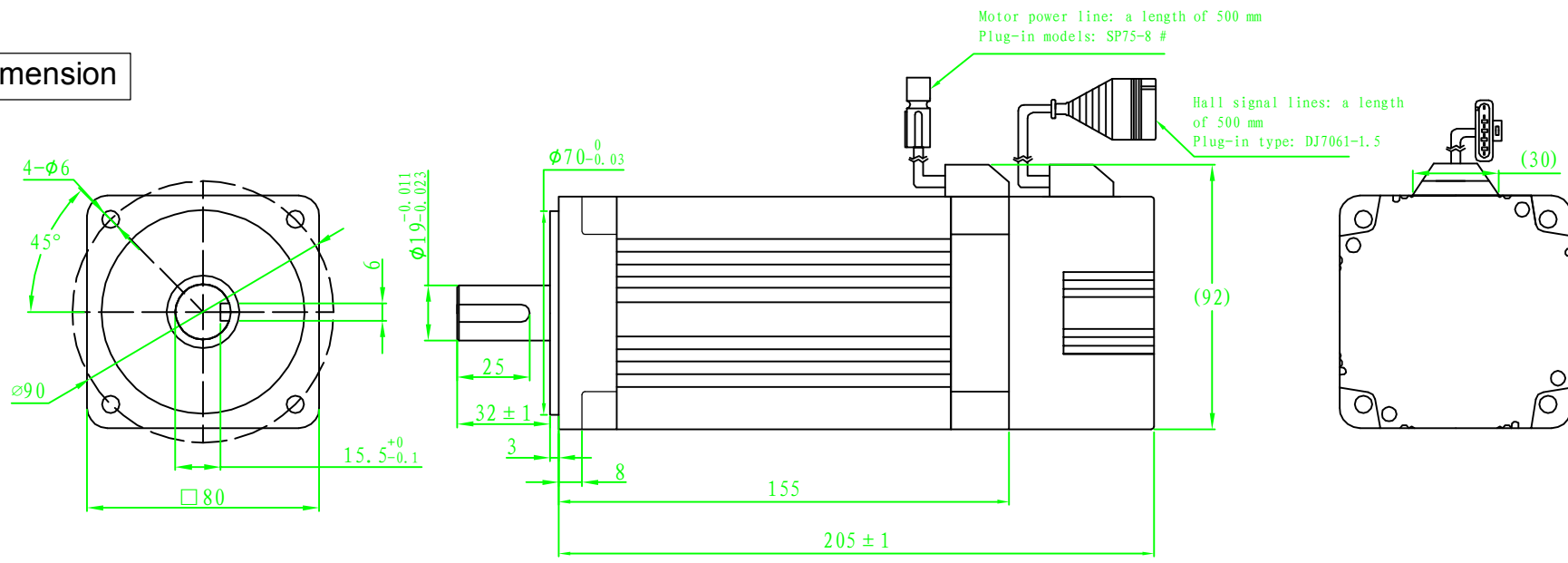
Tecnichal Data

Type	80WD-M03330-96V
Power (KW)	1.04
Rated voltage (V)	72
Rated current (A)	18.00
Rated speed (rpm)	3000
Rated torque (NM)	3.3
Rotor inertia (Kgcm ²)	1.1
Protection rank	IP54
Insulation rank	F
Appropriate environment	Temperature: 0 ~ 50°C Humidity: <90% (No dewdrop)
Motor weight (KG)	3

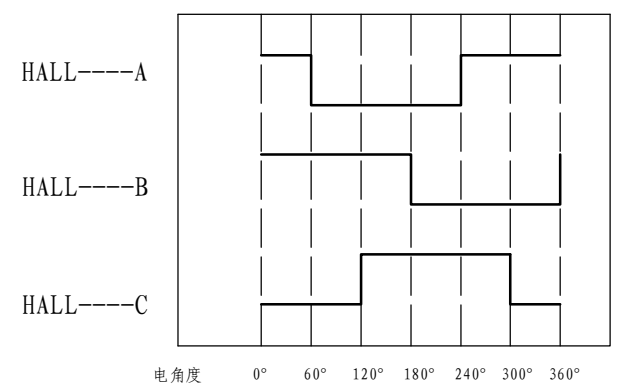


Brushless

Demension



Motor to Hall Relationship



Line Define

Power Wire

Red	Motor U
Yellow	Motor V
Blue	Motor W

Feedback Wire

Hall line colour	Hall signal definition	Plug serial number
Orange and black	5V	1
Orange	0V	2
Yellow	Hall A	3
Blue	Hall B	4
Green	Hall C	5

Tecnichal Data

Type	80WD-M03330-96V
Power (KW)	1.04
Rated voltage (V)	96
Rated current (A)	13.50
Rated speed (rpm)	3000
Rated torque (NM)	3.3
Rotor inertia (Kgcm ²)	1.1
Protection rank	IP54
Insulation rank	F
Appropriate environment	Temperature: 0 ~ 50°C Humidity: <90% (No dewdrop)
Motor weight (KG)	3

